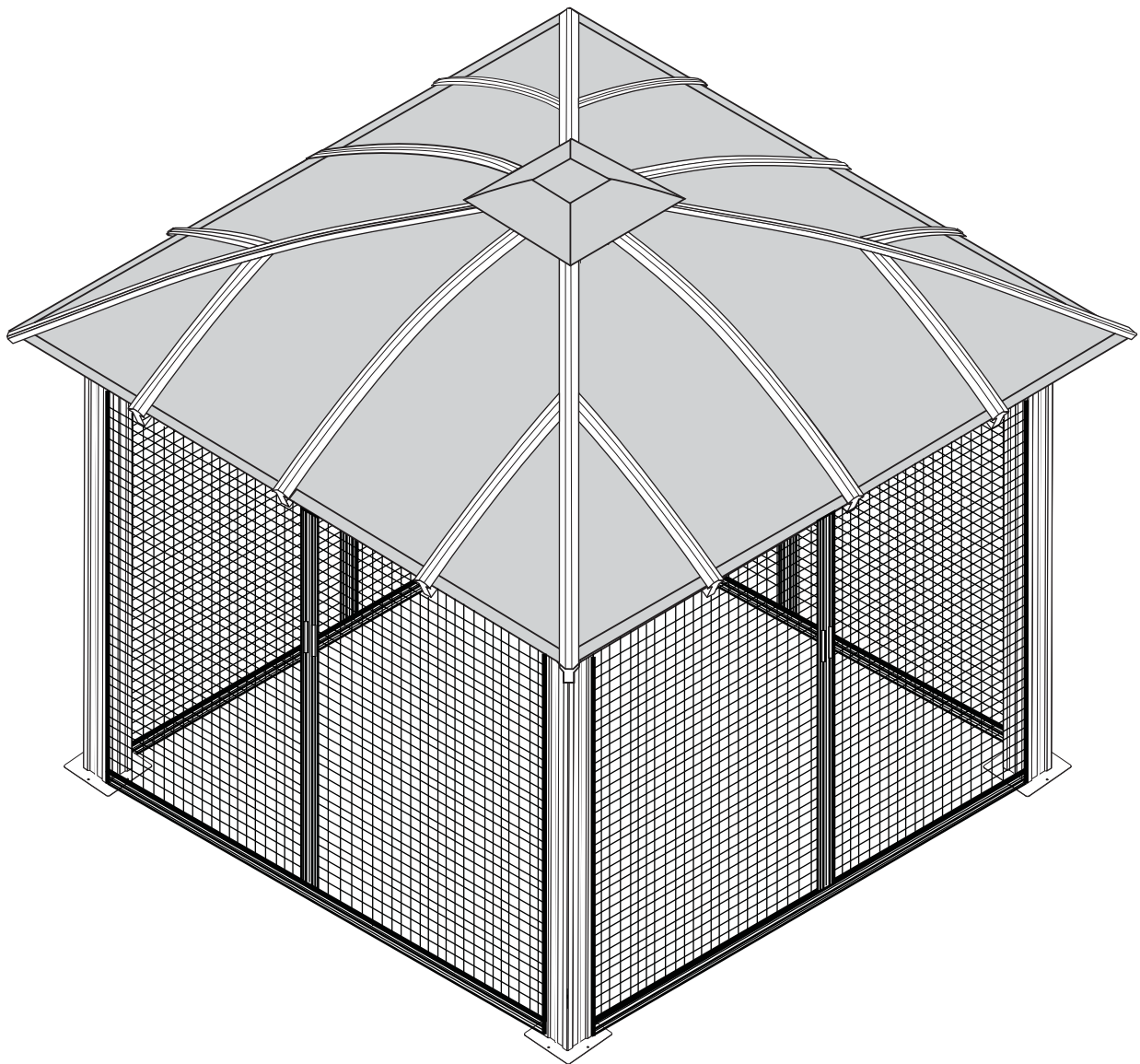




GZH4-1212-SS

Aluminium Composite Roof Panels

Assembly Instructions



  @paragonoutdoorcompany







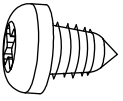

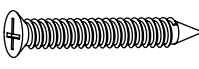
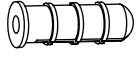
Paragon Group USA

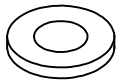
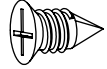
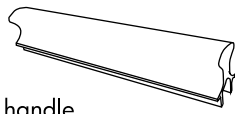

Customer Service: (877) 782 4482 Email: cs-outdoors@paragongroupusa.com

List of Parts



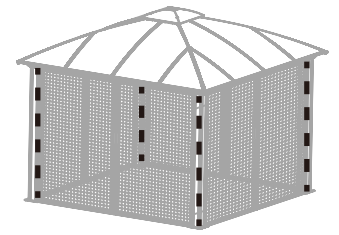
The gazebo is shipped in one cartons. These cartons are heavy. Be careful when lifting them. Wear proper safety gear including work shoes, gloves and goggles. The parts are identified by removable stickers. Place all the parts for each step in staging areas, checking that you have all parts as you go. If any parts are missing or damaged, contact customer service before beginning assembly:
Customer Service:(877) 782 4482 Email:cs-outdoors@paragongroupusa.com

No.	Profile	Qty	Step
1	 Screen	4	1
2	 Upper frame A	4	1
3	 Upper frame B	4	1
4	 Lower frame A	4	1
5	 Lower frame B	4	1
6	 Lower frame C	8	3
7	 5/32x1/4	48	1
8	 M4x15mm	40	3
9	 M4x25	24	3
10	 Plastic anchor	24	3

No.	Profile	Qty	Step
11	 Washer	24	3
12	 M4x10mm	40	3
13	 Screen handle	16	2
14	 Handle seal	32	2

We included some extra screws and bolts for your convenience.

STEP 1 Assembling the Screen Frames



Place all the parts on a level surface.
Make sure the pieces are in the correct positions before assembling.
Carefully follow the order of assembly to ensure an easy installation.
Wear proper safety gear including work shoes, gloves and goggles.

NOTE: You may skip step 1.A if support frames is not assembled.
GAZEBO GZ3DS, GZ3DXLS with screens **MUST** assemble on a hard and level surface.

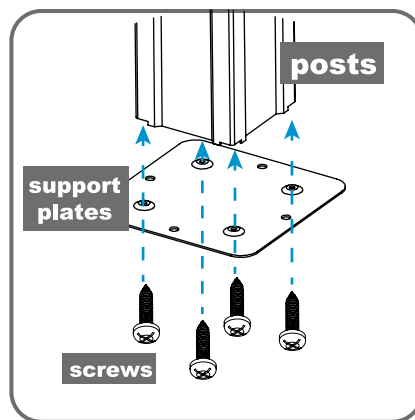
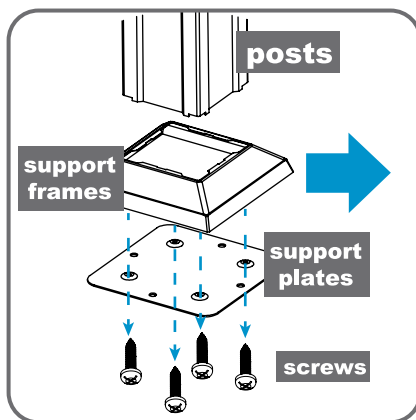
1.A

Remove all the screws from the support plates, and remove the support frames from the posts. Attach the support plates to the posts and fasten with the screws.

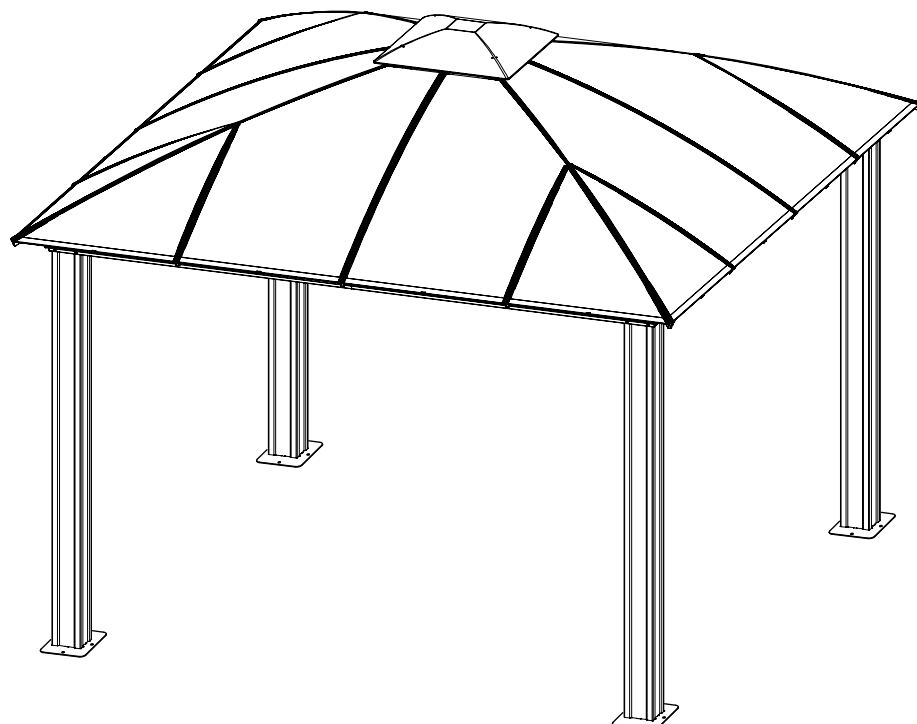


ATTENTION:

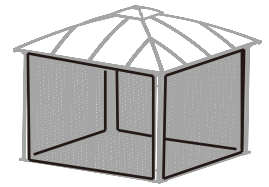
DO NOT ATTEMPT TO ASSEMBLE ALONE.



x 4



! ATTENTION: Do not use sharp tools to remove packaging material. You may simply remove it by hands. Do not cut the string of screen frame(1) during unpacking.



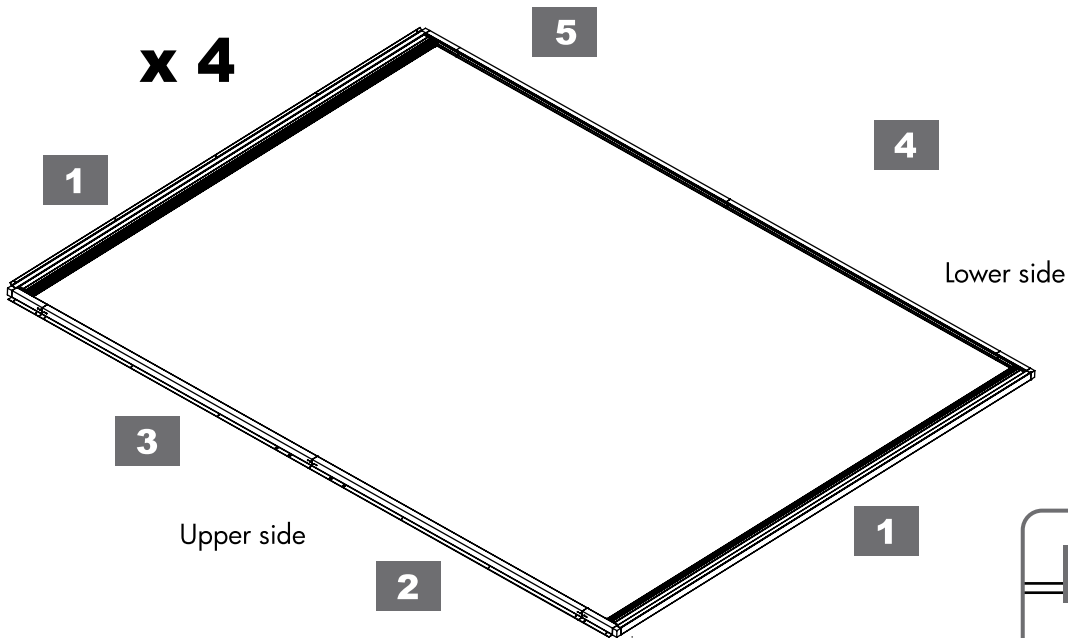
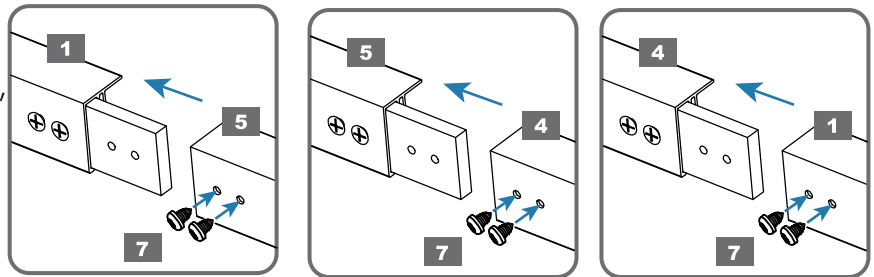
Components

Upper frame A(2) x 4	Upper frame B(3) x 4	Lower frame A(4) x 4	Lower frame B(5) x 4	Screen(1) x 4	Screw(7) x 48

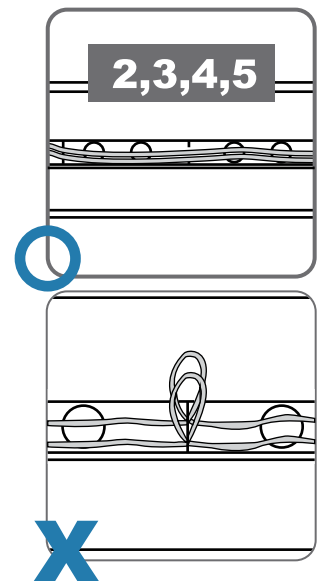
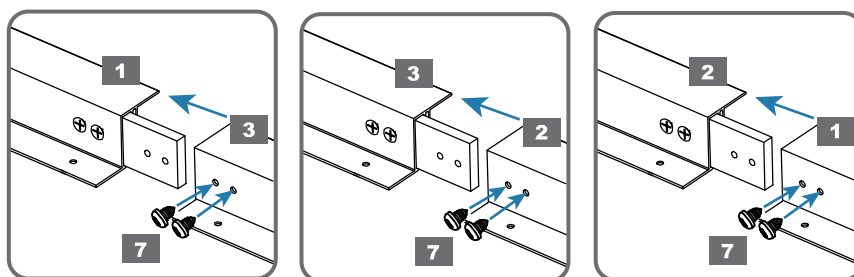
! ATTENTION: Do not caught the string of the screen(1) during assembling, the string should be unrestrained for open/close functions.

1.B

Carefully unpack screen(1) on the floor, and attach lower frame B(5) to screen (1), lower frame A(4) to lower frame-B(5) and the other end to screen(1) with screw(7).



Attach upper frame B(3) to screen(1), upper frame A(2) to upper frame B(3) and the other end to screen(1) with screw(7).



STEP 2 Assembling the Screen Handles

2.A

Place screen handle(13) to a desire position then click into screen(1).
Attach handle seal(14) on both side of screen handle(13) to secure its positions.
Repeat to fix all screen handles on both sides.

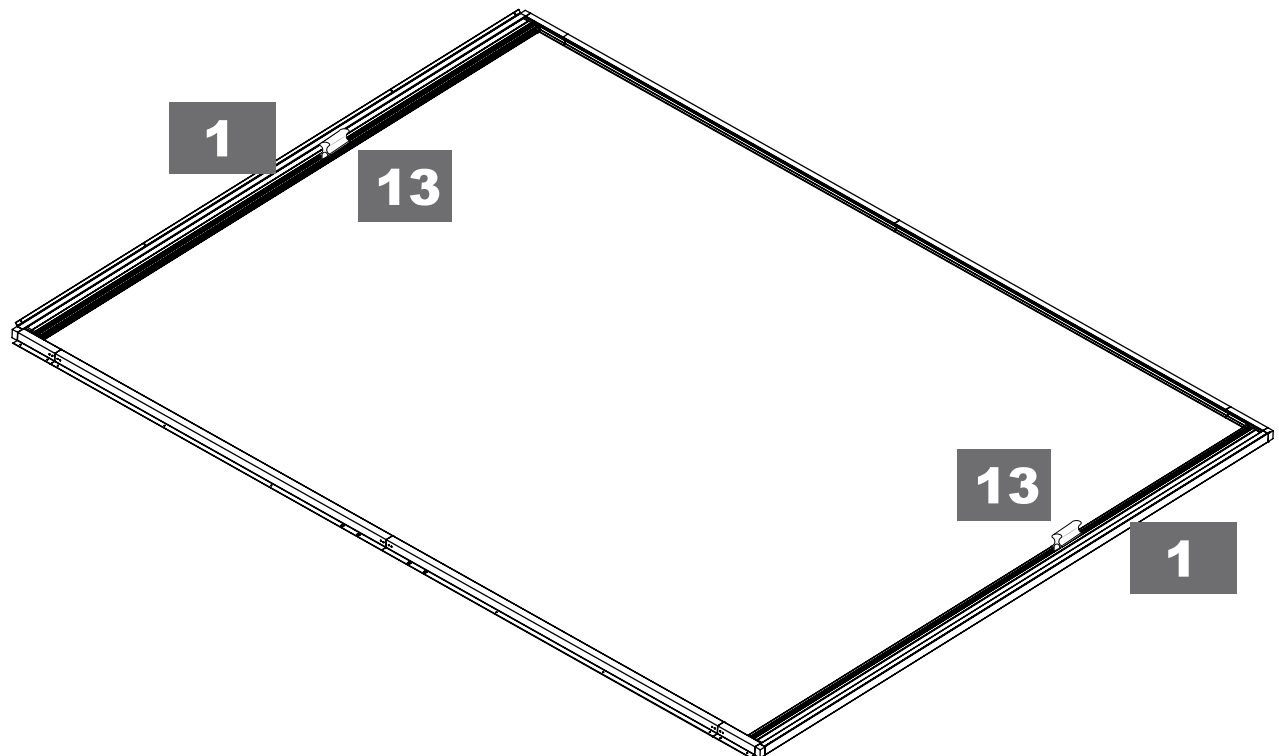
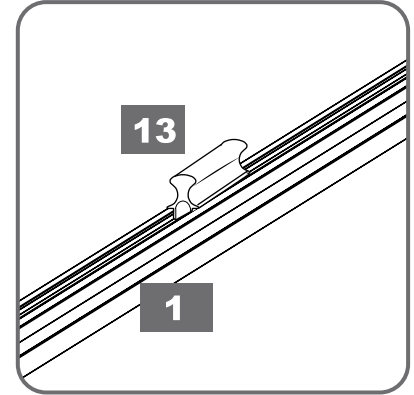
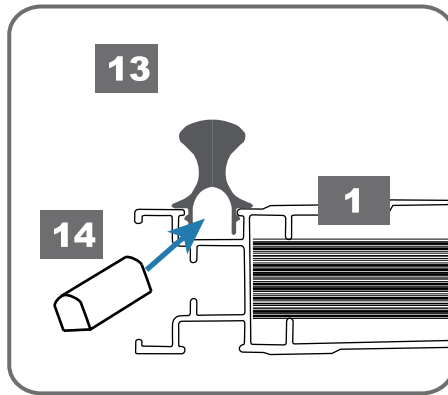
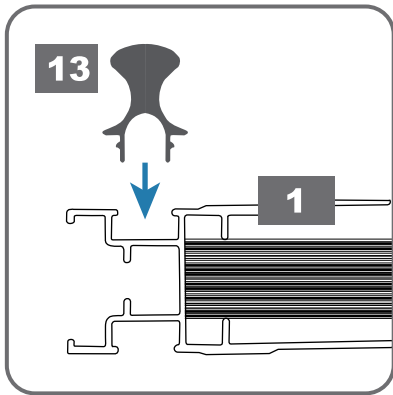
Components



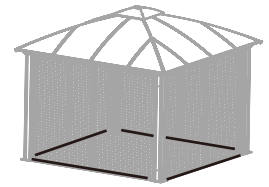
Screen handle(13)
x 16



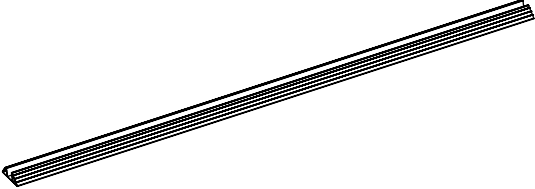
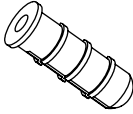


Handle seal(14)
x 32



STEP 3 Assembling the Screen Base

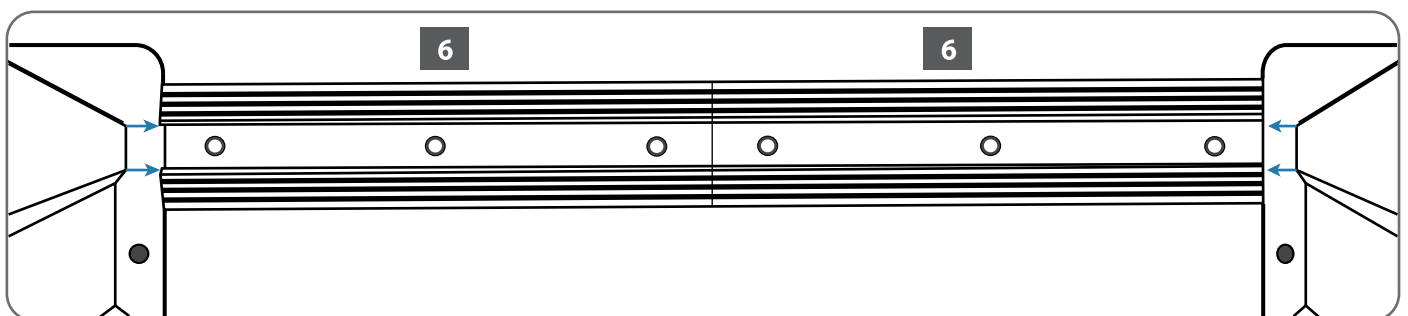
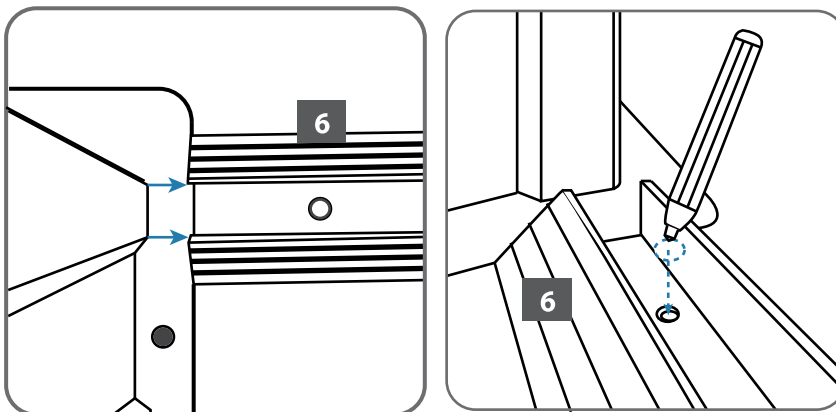


NOTE: Do not attempt to assemble alone.

Components			
			
Lower frame C(6) x 8	Plastic anchor(10) x 24	Screw(9) x 24	Washer(11) x 24

3.A

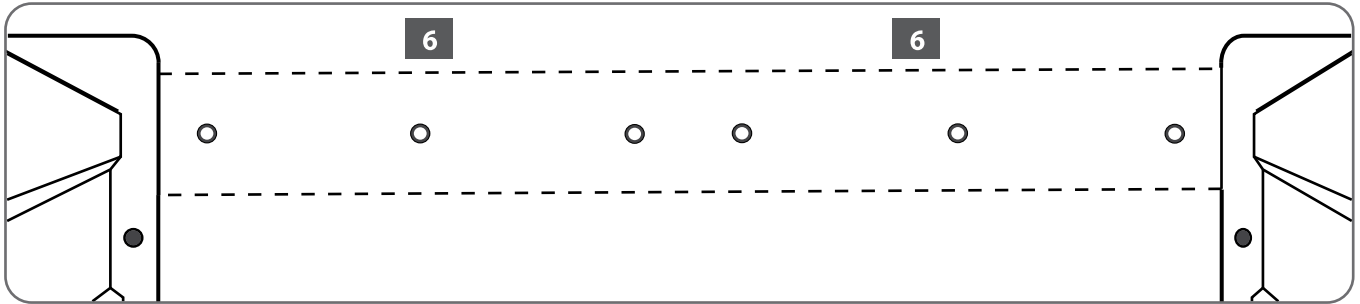
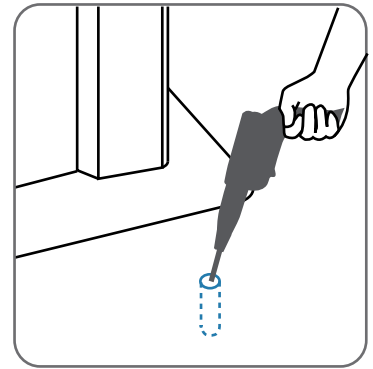
Place lower frame C(6) next to the support plates, align the middle gap of lower frame C(6) parallel to the posts corner shape on both ends, then mark all holes on the floor.



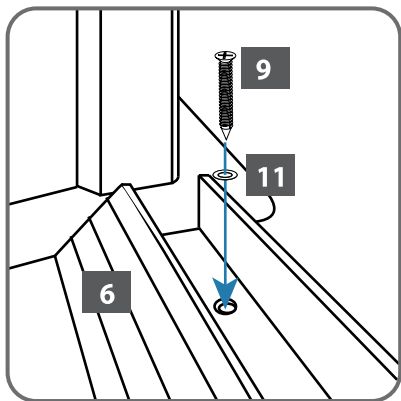
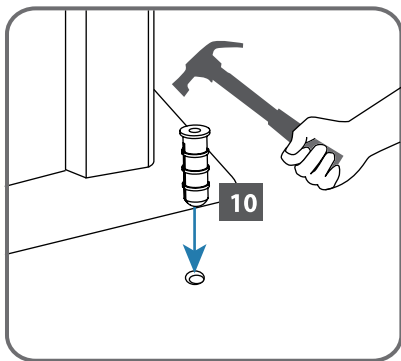
VIEW FROM THE TOP

3.B

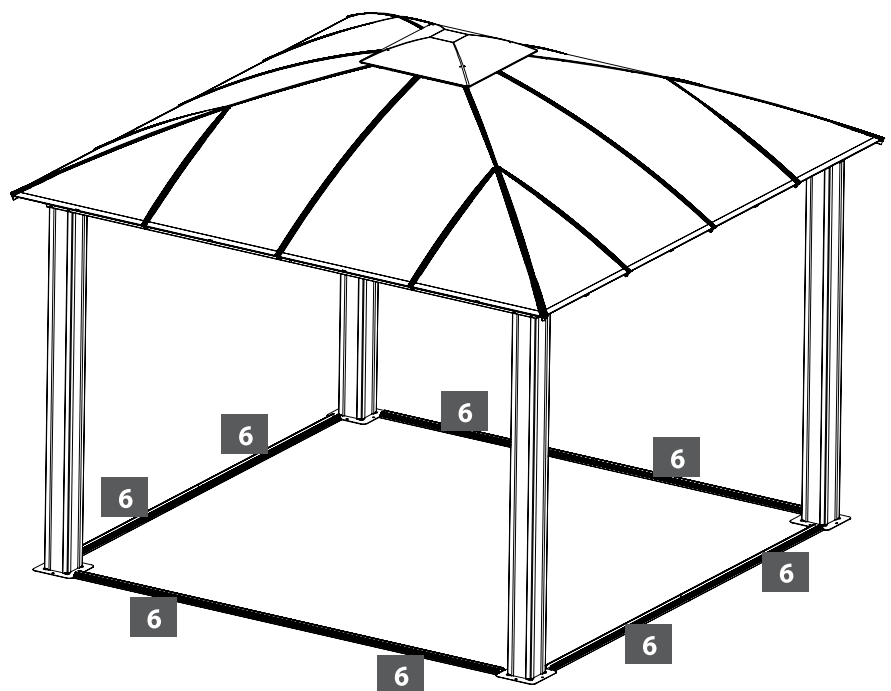
Remove lower frames C(6) and drill holes you have just marked on the floor.



VIEW FROM THE TOP



Insert plastic anchor (10) into the hole by a hamer. Place lower frame C (6) to the same position of step 3.A, and fix it with screws(9), washer(11) into the pre-drilling holes.

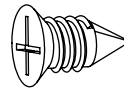


3.C

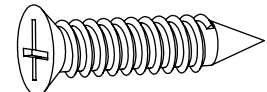
Remove lower four screws from the middle of rails, and save the removed screws for later use.

Attach the pre-assembled screen frame(1) to lower frame C(6) from inside.

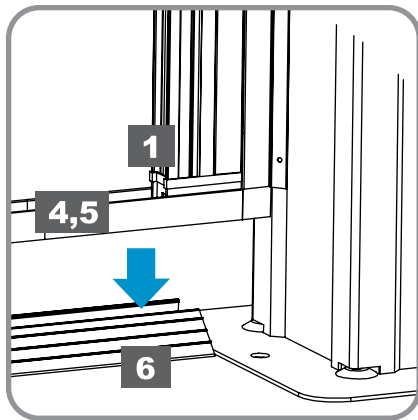
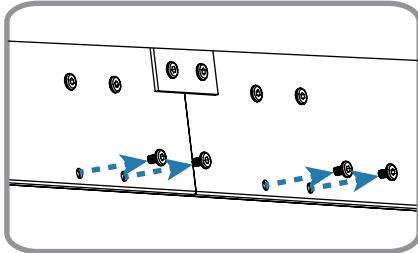
Components



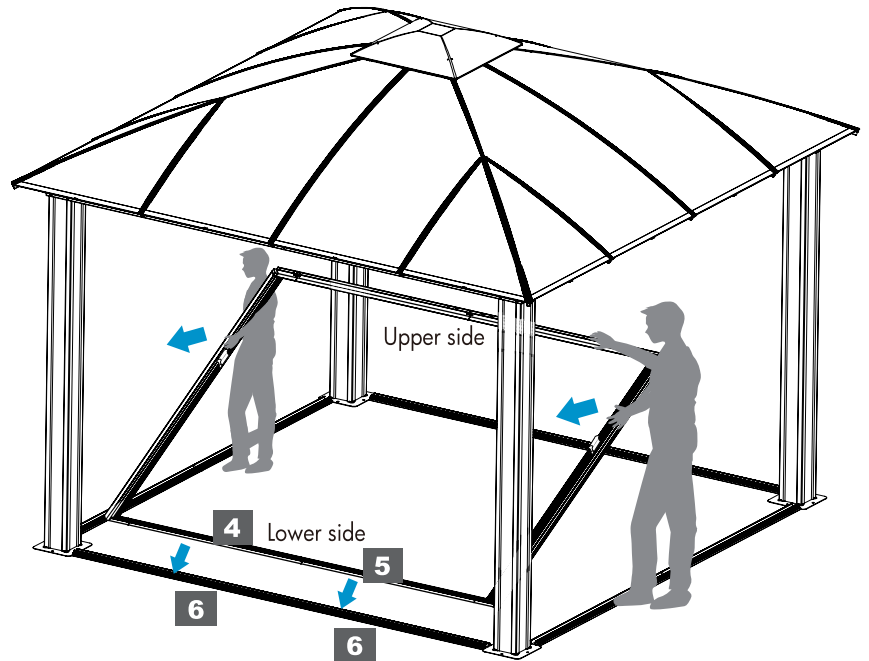
Screw (12)
x 40



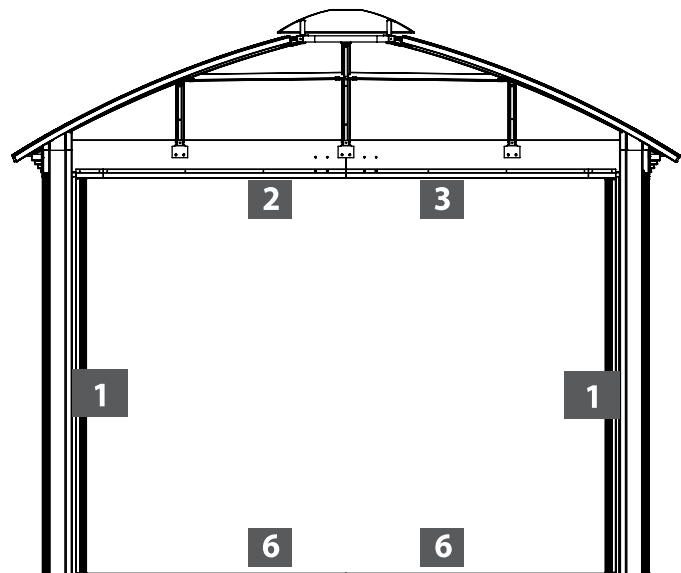
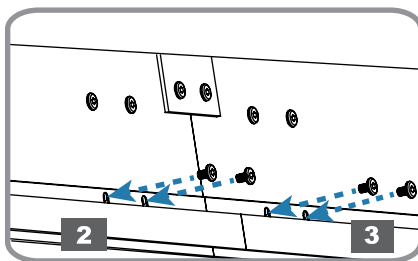
Screw (8)
x 40



VIEW FROM INSIDE

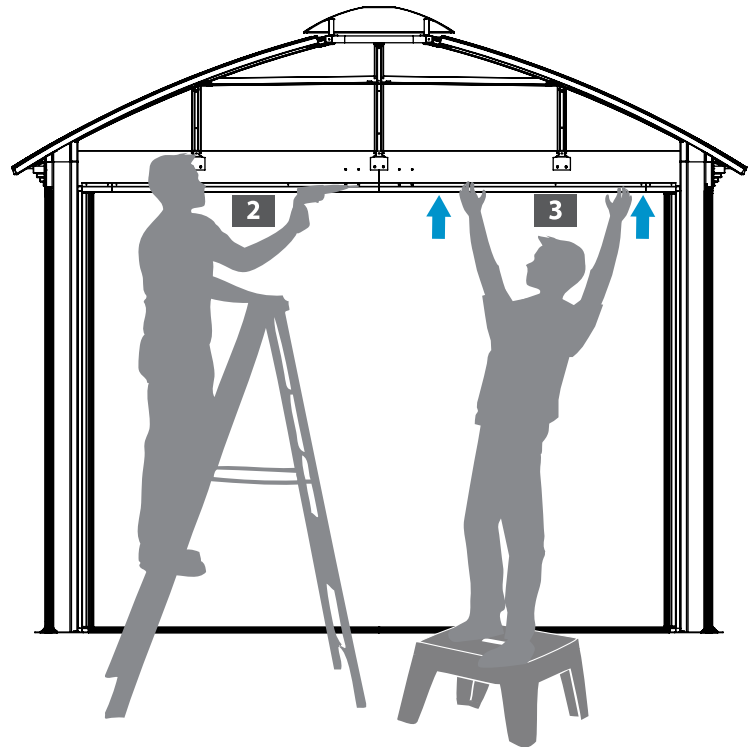
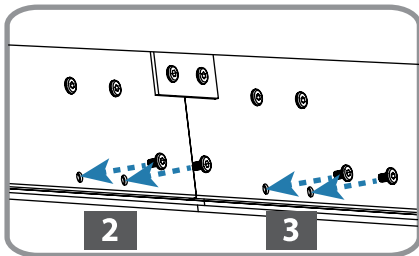
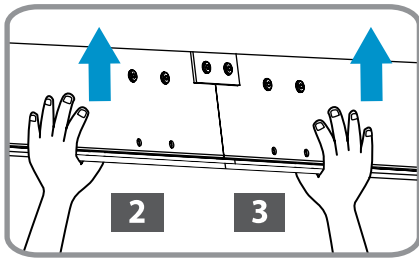


Attach upper side of screen(1) to the rail, using the screws you have just removed from the middle of the rails to the same position to secure screen(1).



VIEW FROM INSIDE

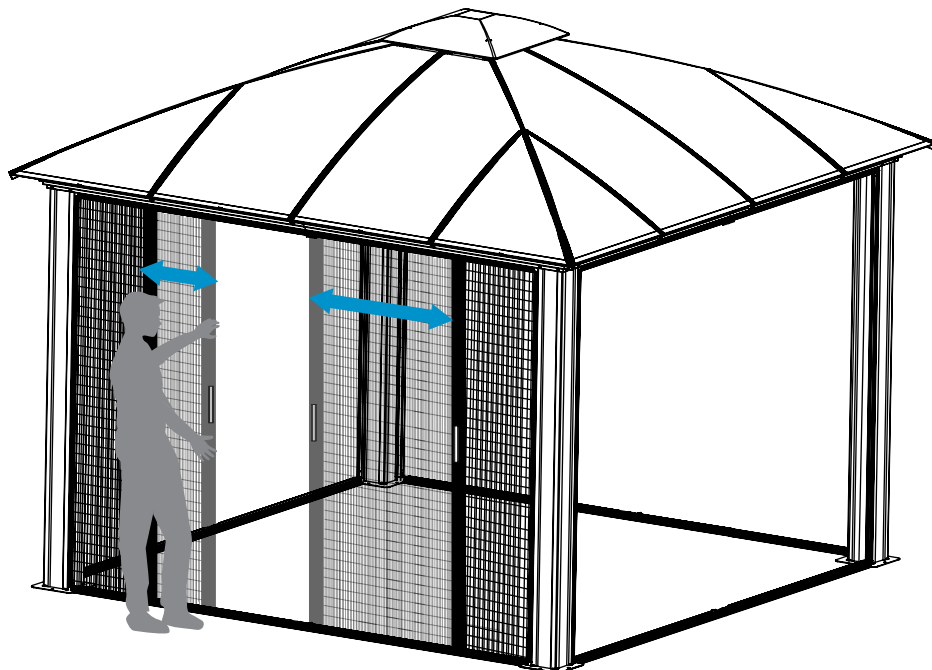
IMPORTANT WARNING TO STEP 3.C ATTACH THE SCREEN TO THE RAIL



It is **REQUIRED** to lift up the upper side of screen and rail at the same time before using the screws to secure screen (1) to the rail as shown.



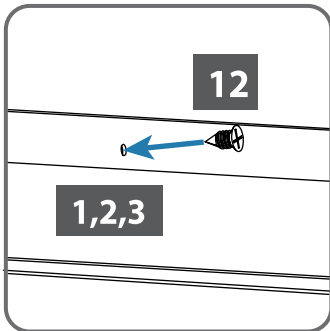
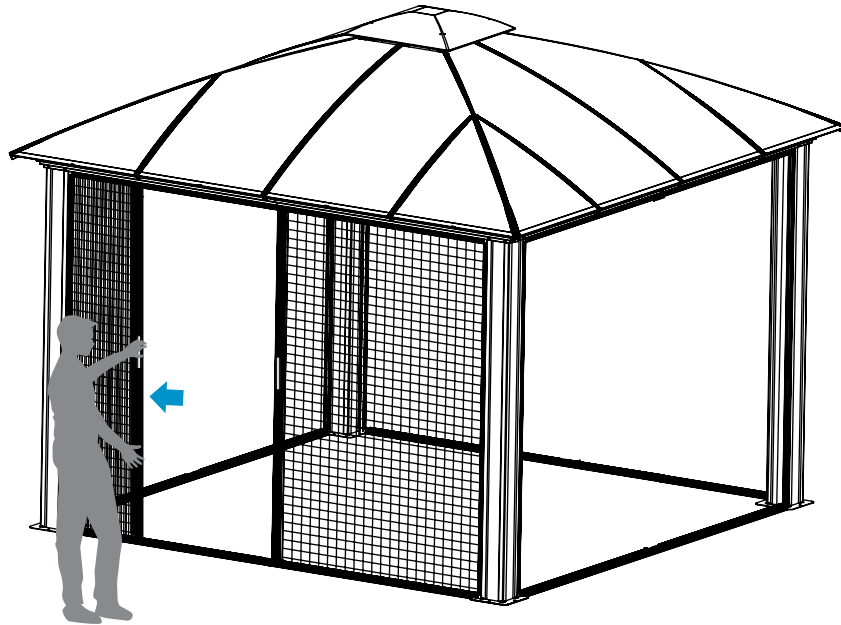
HINTS: The screen cannot pull all the way to the center may caused by restrained string on the screen (1) , check step 1.B. The screen gets harder to pull to the center may caused by incorrect position when attaching the screen to the rail, see photo above.



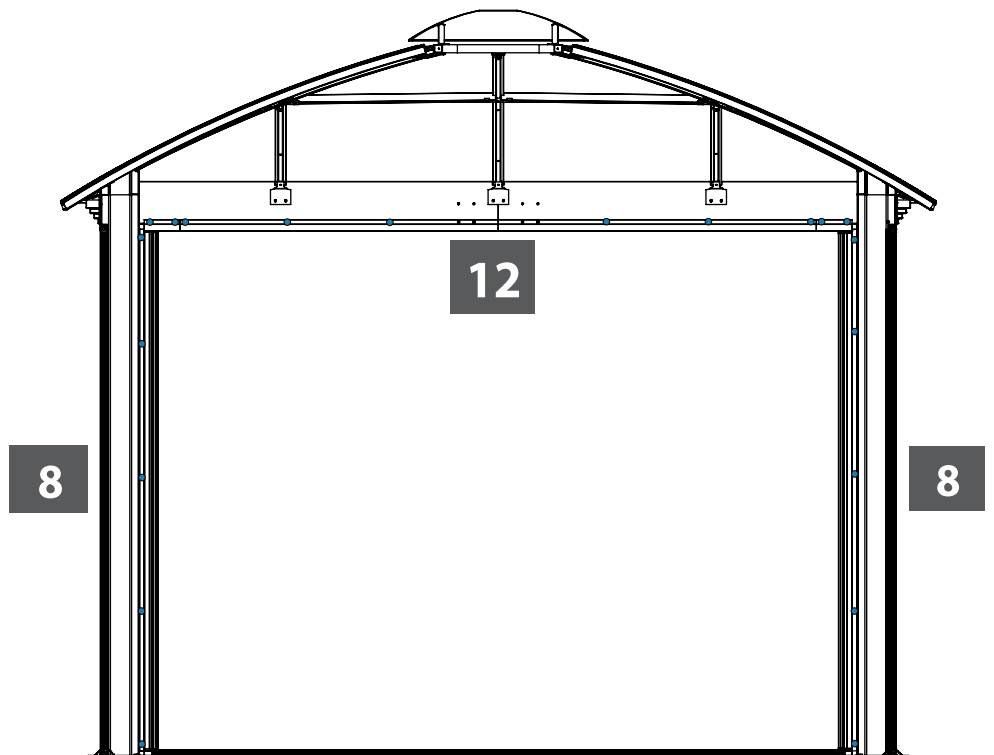
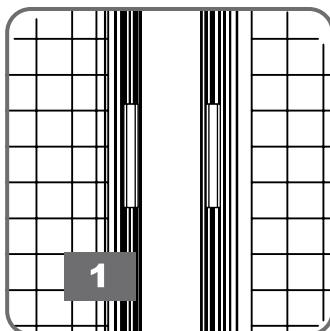
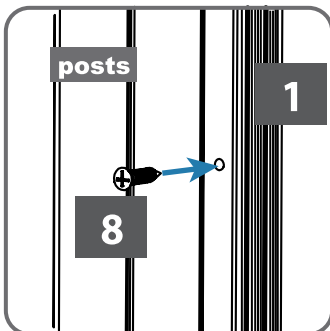
Test the screen by pulling to left and right a couple of times, make sure the screen is functional.

3.D

Slightly pull the screen to left and right to make sure the screen is properly functional, or check back on step 1.B to make sure all string of the screen(1) are unrestrained.



Secure the pre-assembled screen frame with screws(12) on the horizontal direction, and screw(8) in the parallel directions.

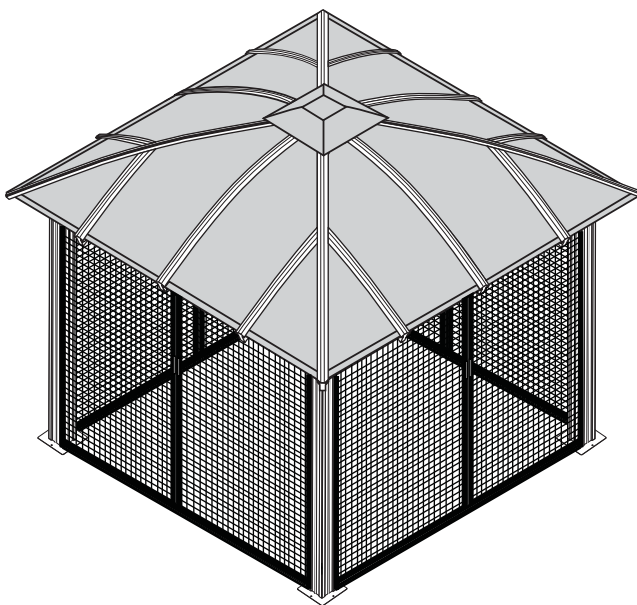
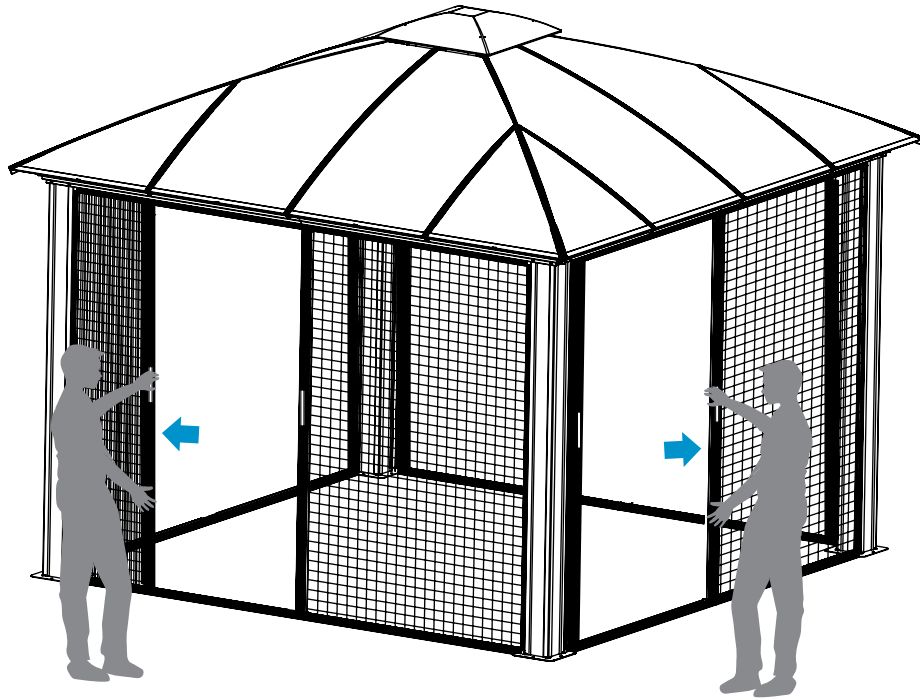


● Positions of screws (8,12) from inside



ATTENTION:

Pull all the screens to the side (to posts direction) when not using. Leave the screen open may cause irregular breaking from wild aniaml or shorten the life time use of the screens.



ENJOY YOUR
COMPLETED GAZEBO !



GZH4-1212-SS

Aluminium Composite Roof Panels

Assembly Instructions

WARRANTY:

Warranty covers damage due to manufacturing defects only for a period of 5 years on the structure, 5 years on the Aluminum Shell and 1 year on the netting from date of purchase. Warranty does not cover weather inflicted damage and/or damages caused by not following assembly instructions and adhering to warnings in manual.

Warranty does not cover user error, negligence, or misuse.

ATTENTION: Roof profiles, roof panels and gables must be aligned properly during assembly to minimize any possibility of leaking.



Paragon Group USA

Customer Service:(877) 782 4482 Email:cs-outdoors@paragongroupusa.com