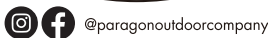
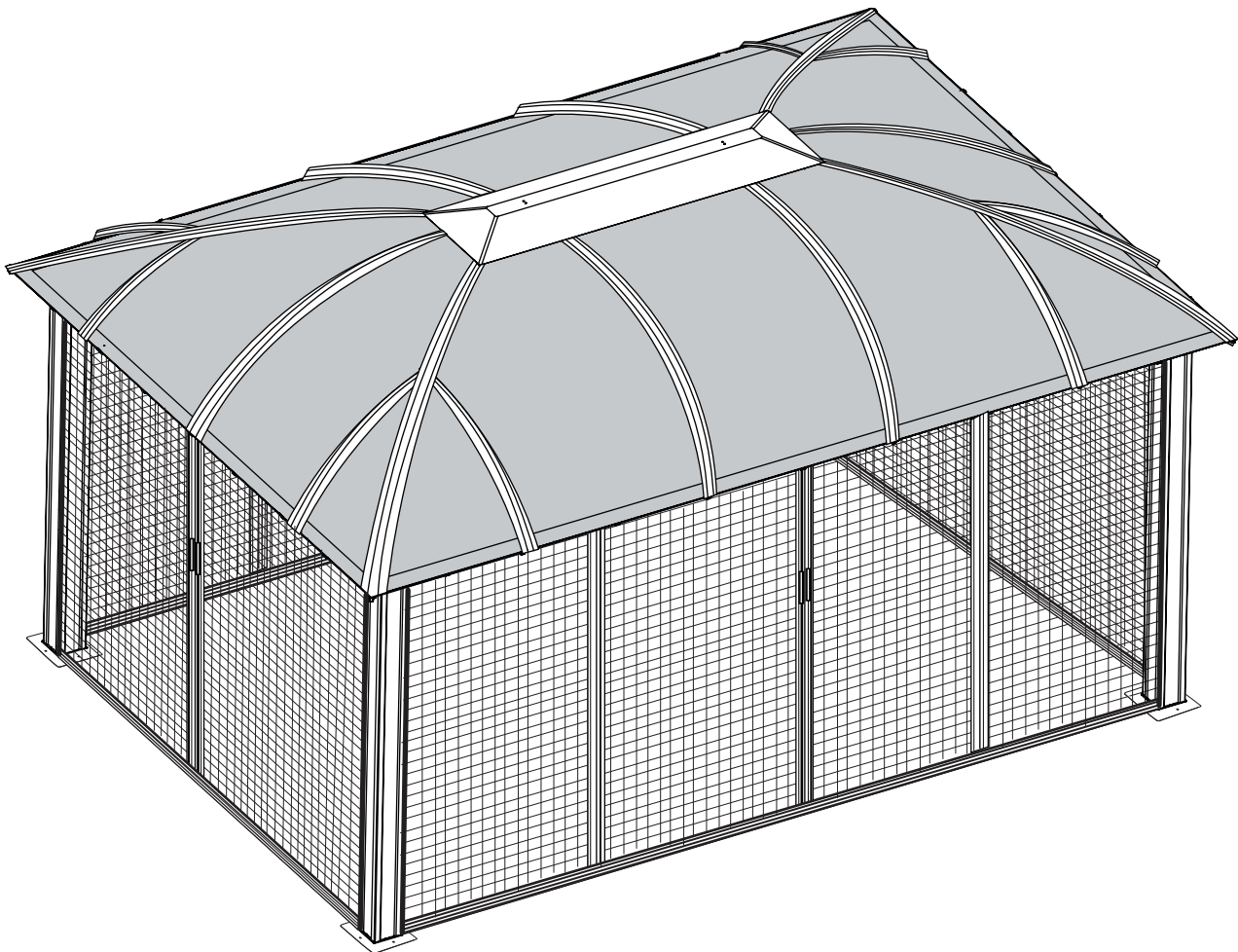




GZH4-1214-SS

Aluminium Composite Roof Panels

Assembly Instructions













Paragon Group USA



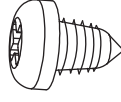




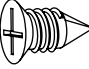
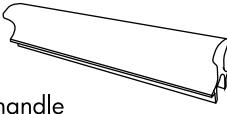

Customer Service: (877) 782 4482 Email: cs-outdoors@paragongroupusa.com

List of Parts



The gazebo is shipped in six cartons. These cartons are heavy. Be careful when lifting them. Wear proper safety gear including work shoes, gloves and goggles. The parts are identified by removable stickers. Place all the parts for each step in staging areas, checking that you have all parts as you go. If any parts are missing or damaged, contact customer service before beginning assembly:
Customer Service:(877) 782 4482 Email:cs-outdoors@paragongroupusa.com

No.	Profile	Qty	Step
1	 Short screen	2	1
2	 Upper frame A 1272mm	2	1
3	 Upper frame B 1272mm	2	1
4	 Lower frame A 1272mm	2	1
5	 Lower frame B 1272mm	2	1
6	 Lower frame C 1352mm	4	2
7A	 Long screen	2	1
8	 Upper frame C 1662mm	2	1
9	 Upper frame D 1662mm	2	1
10	 Lower frame D 1662mm	2	1

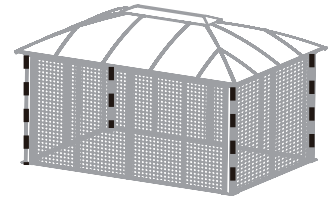
No.	Profile	Qty	Step
11	 Lower frame E 1662mm	2	1
12	 Lower frame F 1742mm	4	2
13	 5/32x1/4	48	1
14	 M4x15mm	40	3
15	 M4x25mm	32	2
16	 Plastic anchor	32	2
17	 Washer	32	2
18	 M4x10mm	44	3
19	 Screen handle	16	1
20	 Handle seal	32	1

We included some extra screws and bolts for your convenience.

STEP 1 Assembling the Screen Frames



Place all the parts on a level surface.
Make sure the pieces are in the correct positions before assembling.
Carefully follow the order of assembly to ensure an easy installation.
Wear proper safety gear including work shoes, gloves and goggles.



NOTE: You may skip step 1.A if support frames is not assembled.
GAZEBO GZH4-1214BKD, GZH4-1216BKD with screens **MUST** assemble on a hard and level surface.

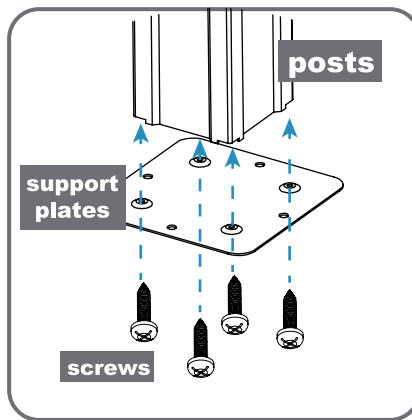
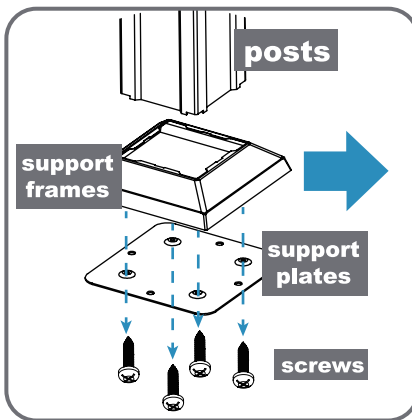
1.A

Remove all the screws from the support plates, and remove the support frames from the posts. Attach the support plates to the posts and fasten with the screws.

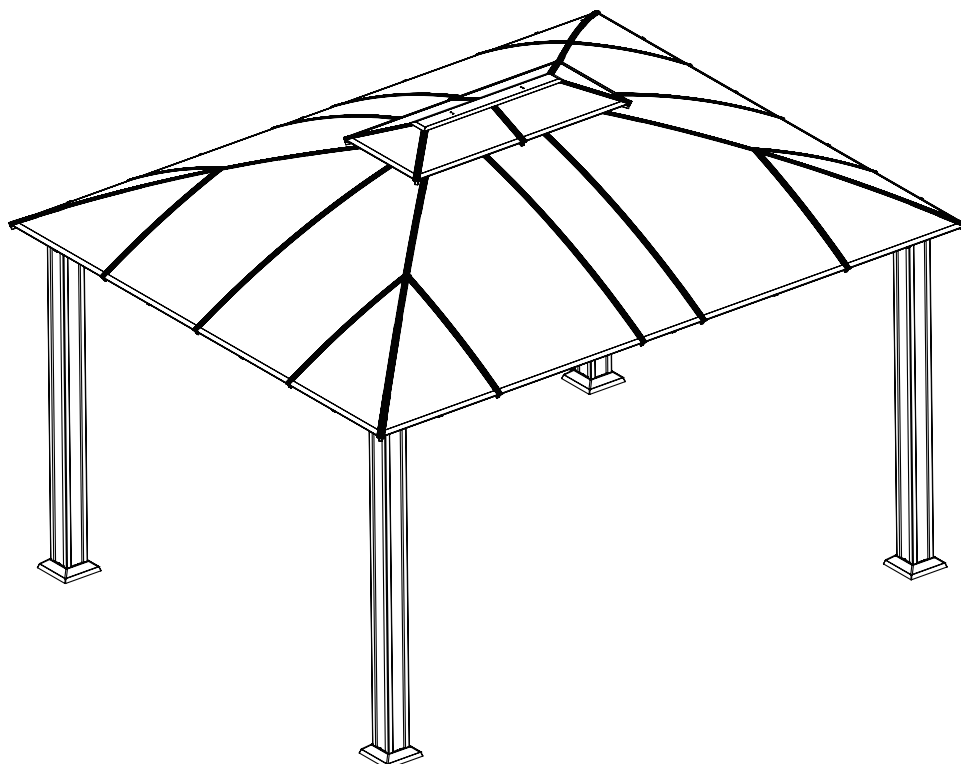


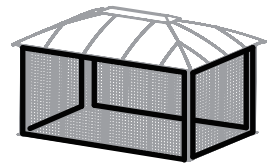
ATTENTION:

DO NOT ATTEMPT TO ASSEMBLE ALONE.

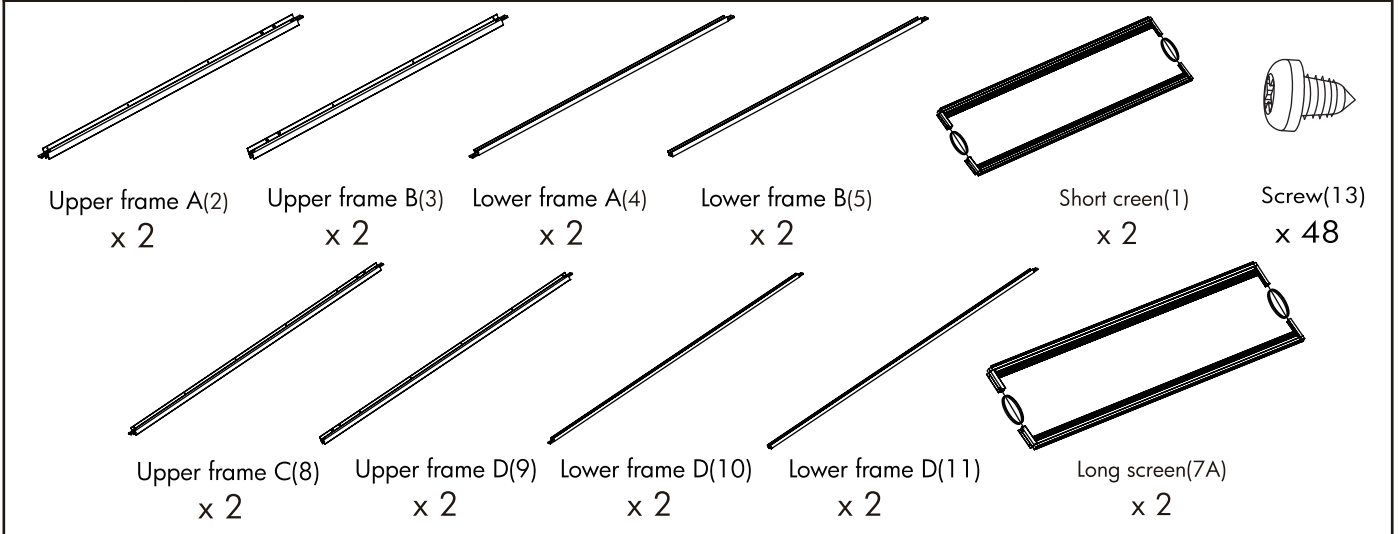


x 4

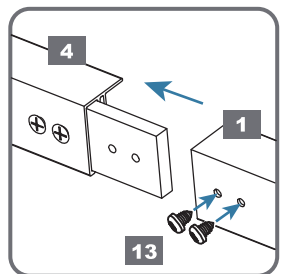
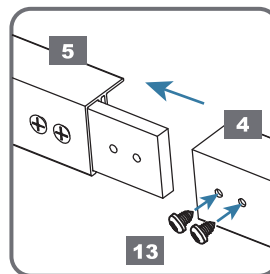
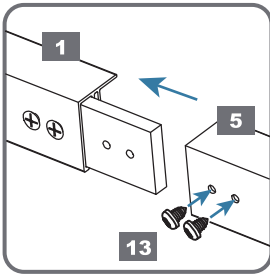




Components

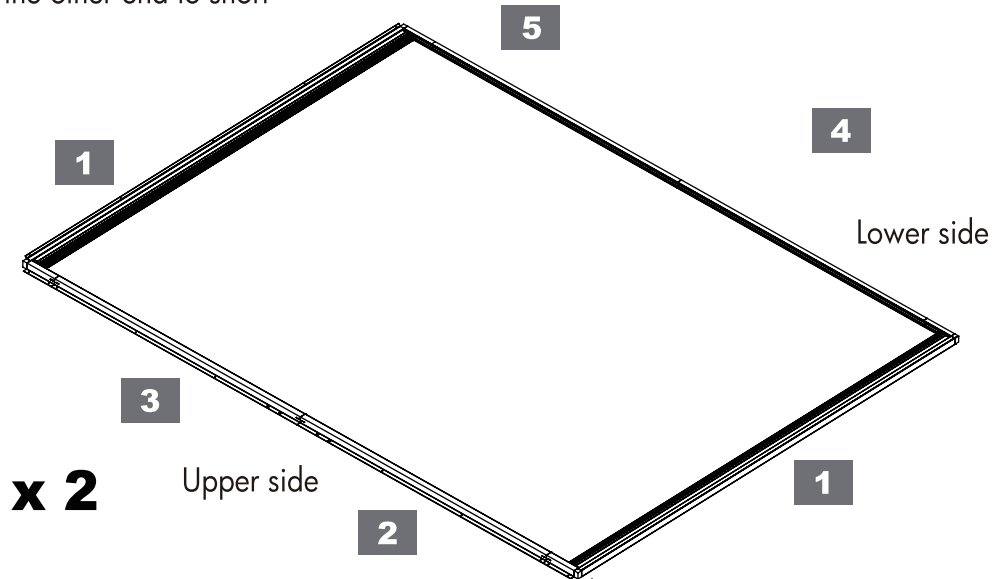


! ATTENTION: Do not caught the string of the screen (1,7A) during assembling, the string should be unrestrained for open/close functions.

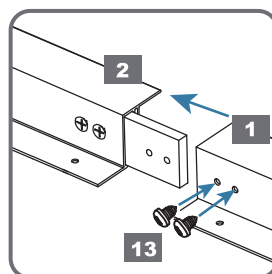
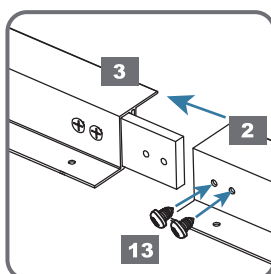
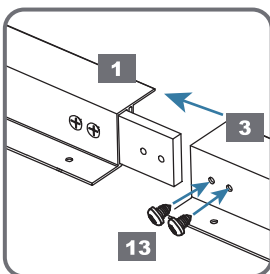


1.B

Carefully unpack short screen (1) on the floor, and attach lower frame B (5) to screen (1), lower frame A (4) to lower frame B (5) and the other end to short screen (1) with screw (13).

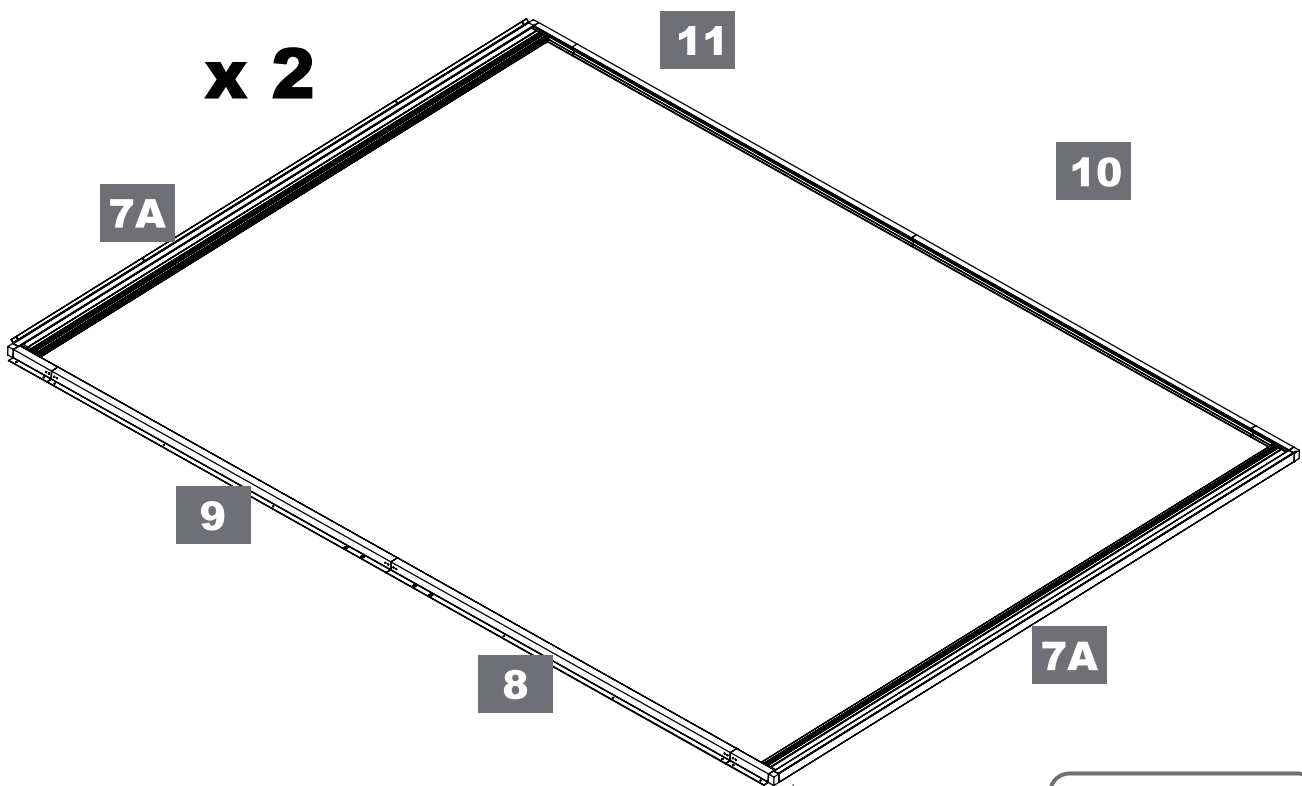
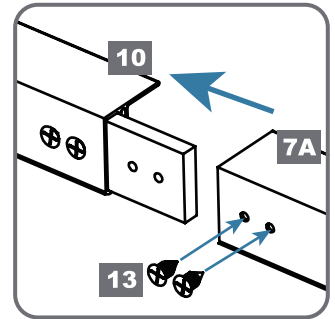
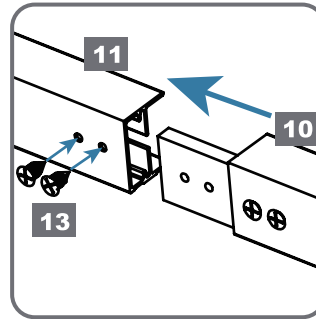
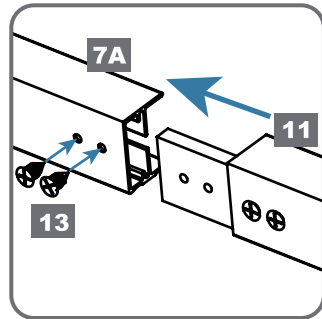


Attach upper frame B (3) to short screen (1), upper frame A (2) to upper frame B (3) and the other end to short screen (1) with screw (13).

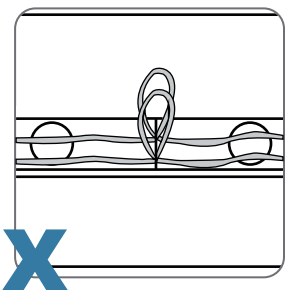
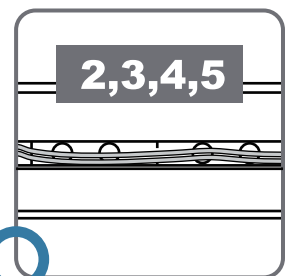
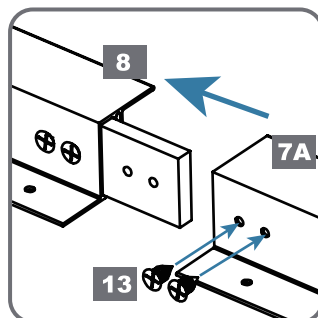
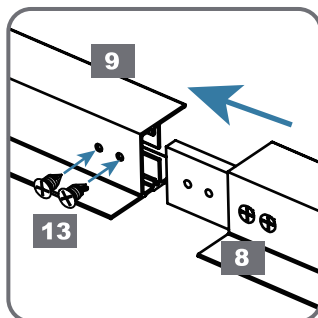
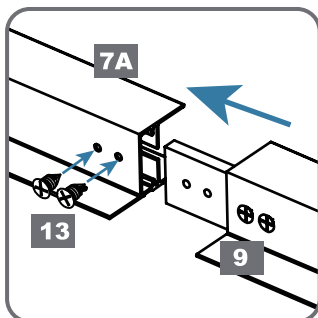


1.C

Carefully unpack long screen (7A) on the floor, and attach lower frame D (11) to long screen (7A), lower frame D (10) to lower frame D (11) and the other end to screen (7A) with screw (13).



Attach upper frame D (9) to long screen (7A), upper frame C (8) to upper frame D (9) and the other end to screen (7A) with screw (13).



1.D

Place screen handle (19) to a desired position then click into screen (1,7A).
Attach handle seal (20) on both sides of screen handle (19) to secure its position.
Repeat to fix all screen handles on both sides.

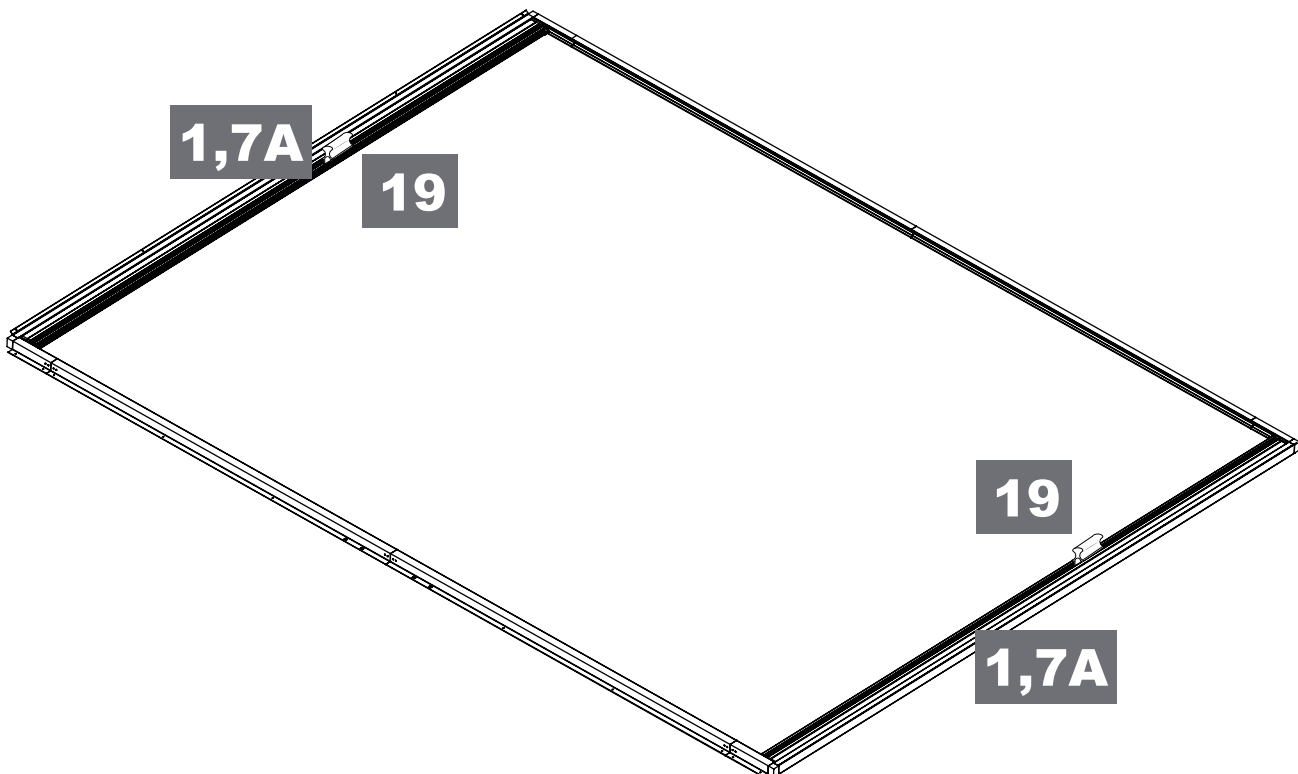
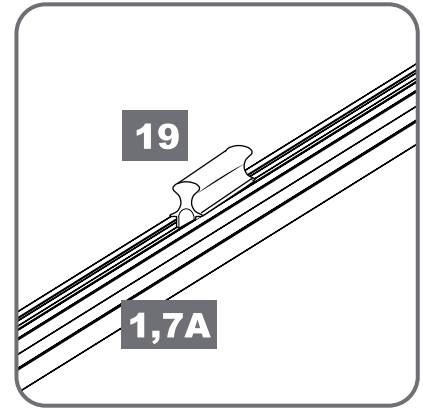
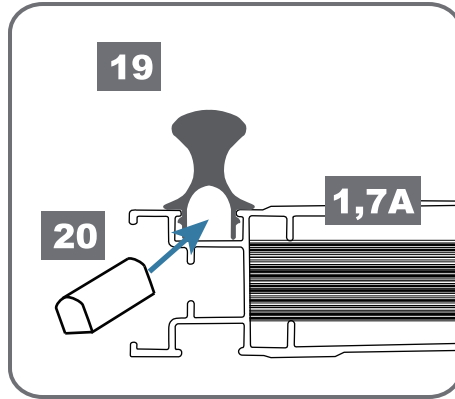
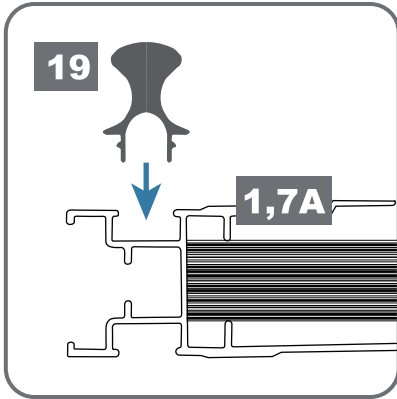
Components



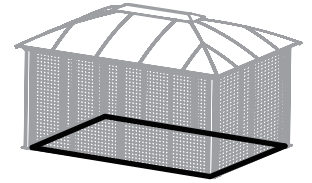
Screen handles(19)
x 16



Handle seal(20)
x 32



STEP 2 Assembling the Screen Base



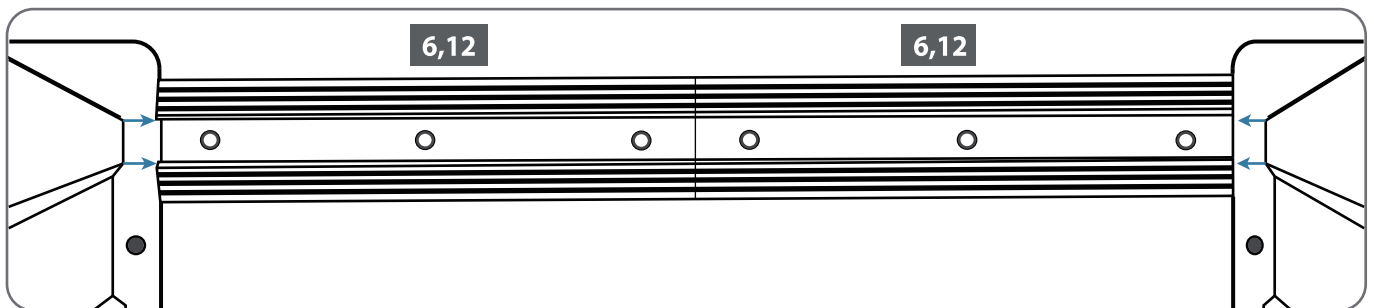
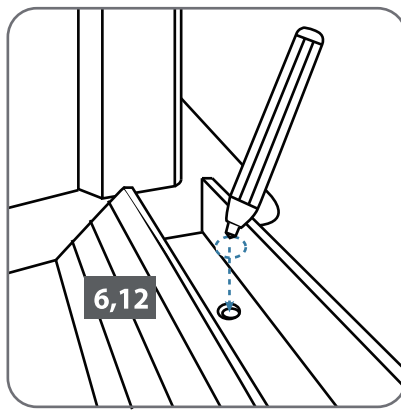
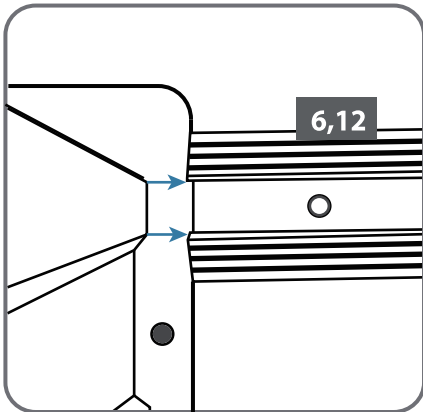
NOTE: Do not attempt to assemble alone.

Components

Lower frame C(6) x 4	Lower frame F(12) x 4	Plastic anchor(16) x 32	Screw(15) x 32	Washer(17) x 32

2.A

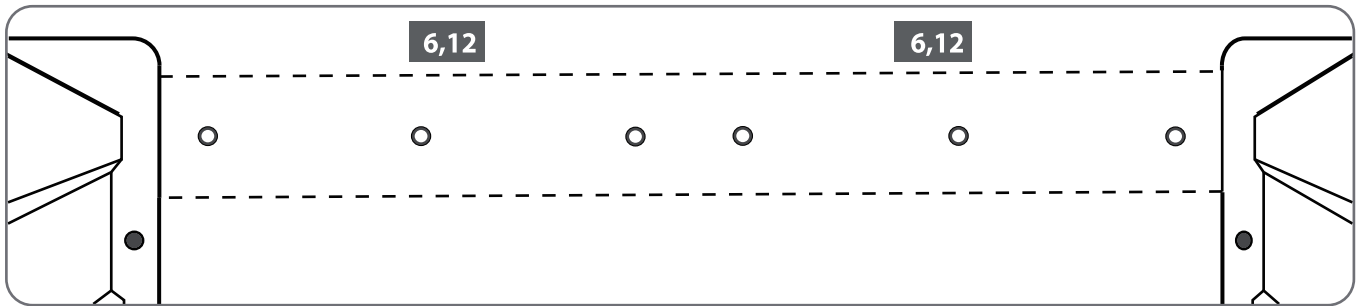
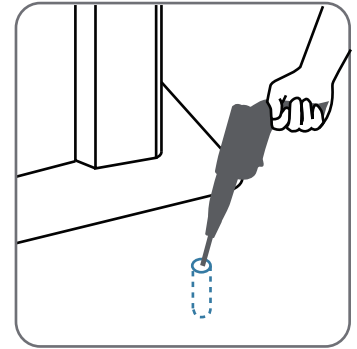
Place lower frame C (6) next to the support plates on the short side, align the middle gap of lower frame C (6) parallel to the posts corner shape on both ends, then mark all holes on the floor. Do the same for lower frame F (12) on the long side.



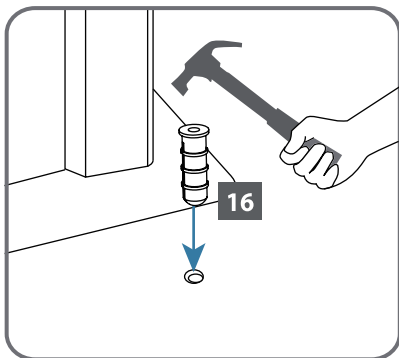
VIEW FROM THE TOP

2.B

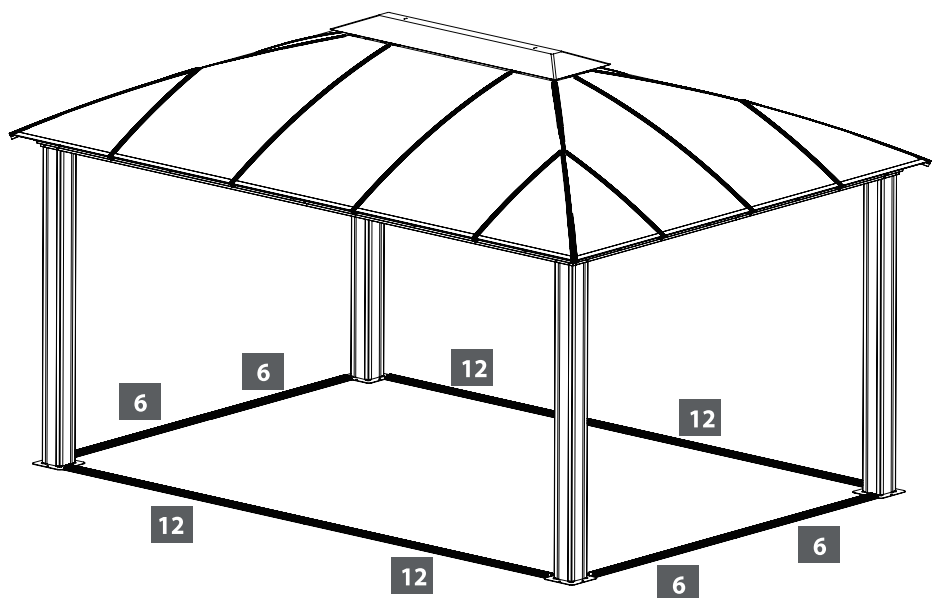
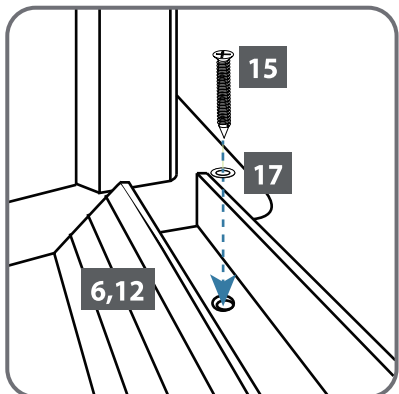
Remove lower frames C (6,12) and drill holes you have just marked on the floor.



VIEW FROM THE TOP



Insert plastic anchor (16) into the hole by a hamer. Place lower frame C (6) and F (12) to the same position of step 2.A, and fix it with screws (15), washer (17) into the pre-drilling holes.

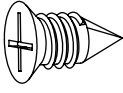
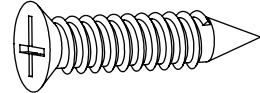


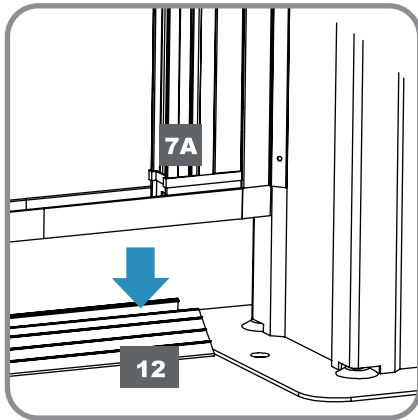
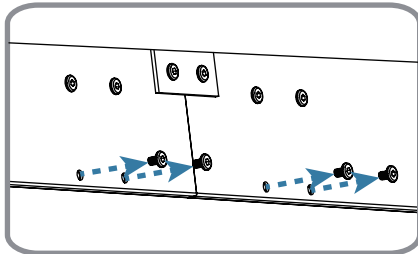
STEP 3 Assembling the Screen Frame

3.A

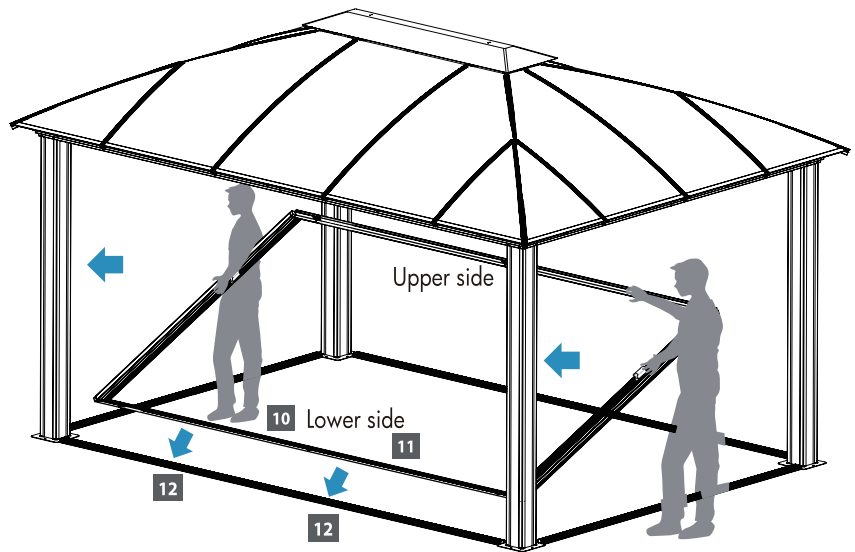
Remove lower four screws from the middle of rails from the long side of the gazebo. Save the removed screws for later use.

Attach the pre-assembled long screen frame (7A) to lower frame F (12).

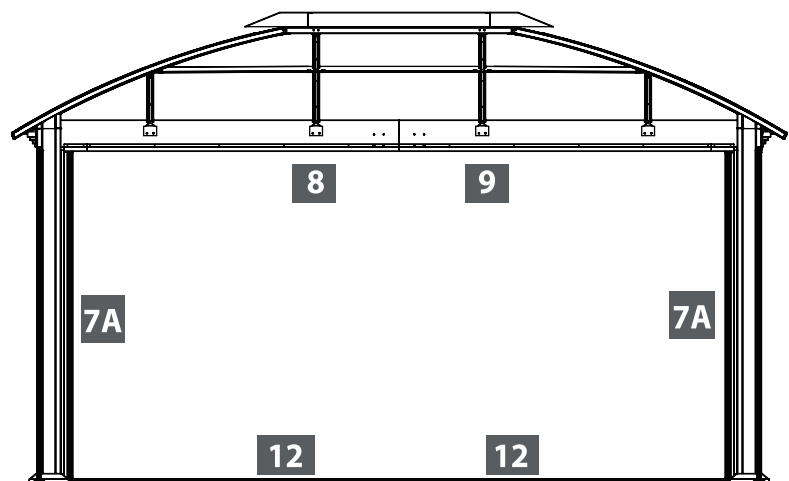
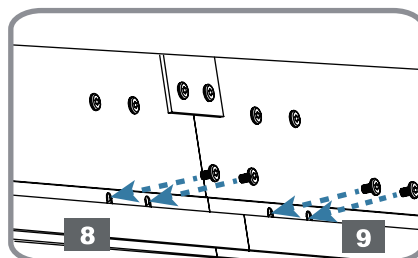
Components	
	
Screw (18) x 44	Screw (14) x 40



VIEW FROM INSIDE



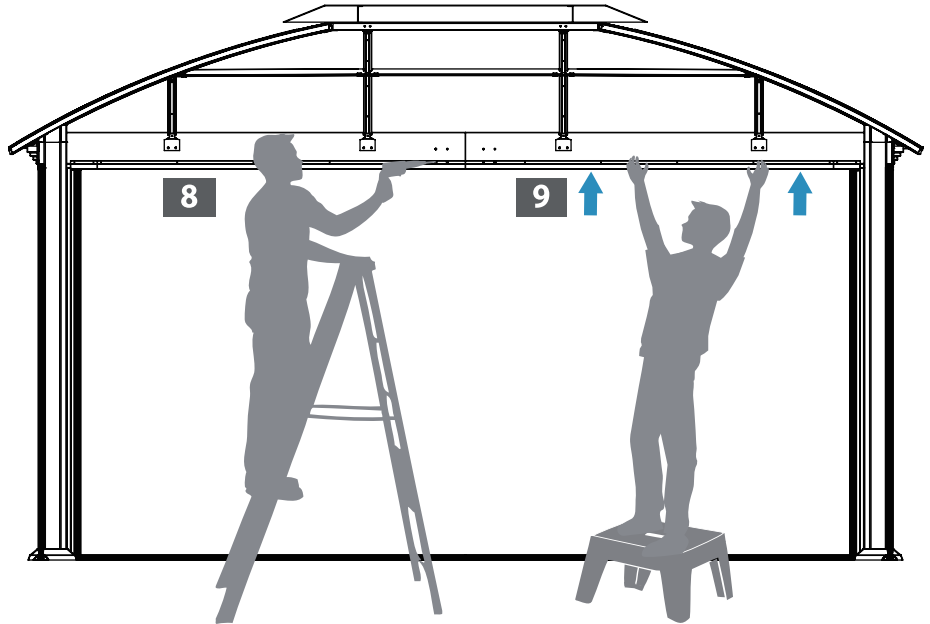
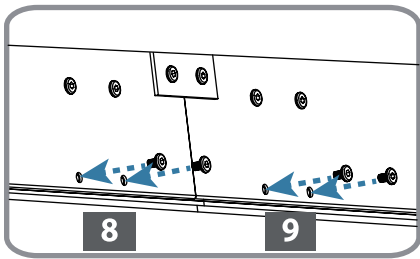
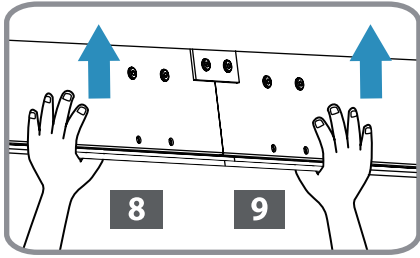
Attach upper side of long screen (7A) to the rail, using the screws you have just removed from the middle of the rails to the same position to secure long screen (7A).



VIEW FROM INSIDE

Repeat the same for short screen (1) on the short side of the gazebo.

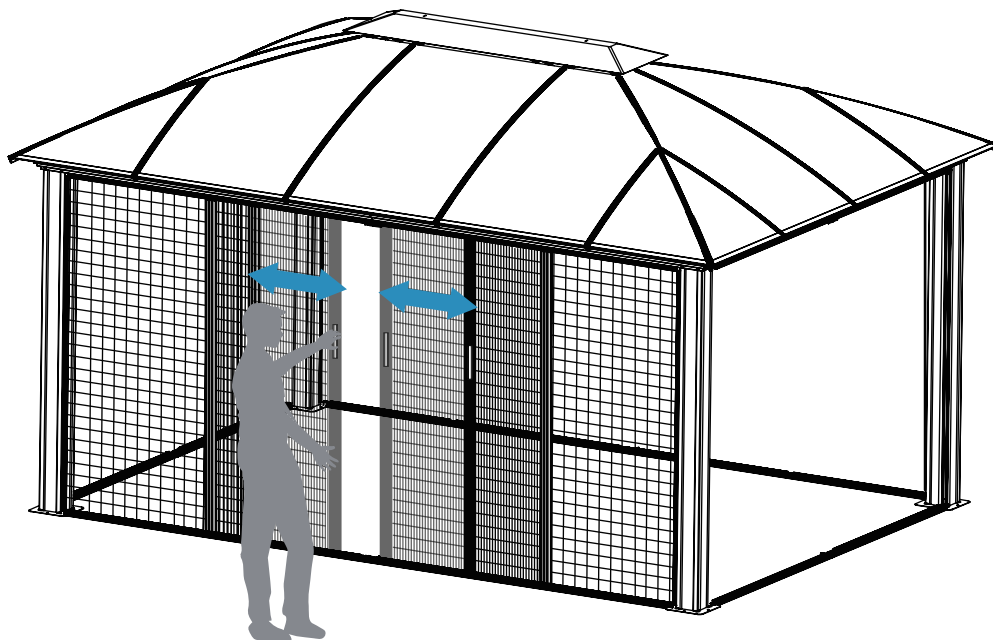
IMPORTANT WARNING TO STEP 3.C ATTACH THE SCREEN TO THE RAIL



It is REQUIRED to lift up the upper side of screen and rail at the same time before using the screws to secure short screen (1) to the rail as shown.

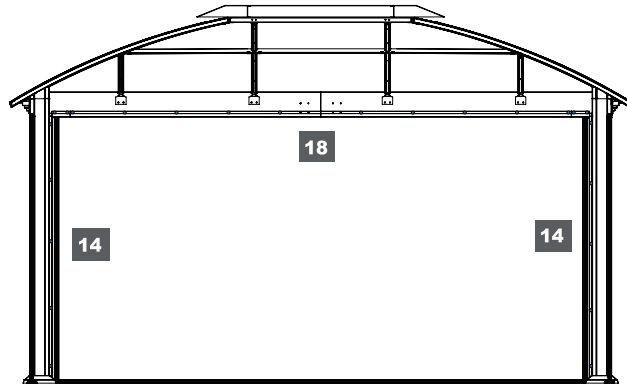
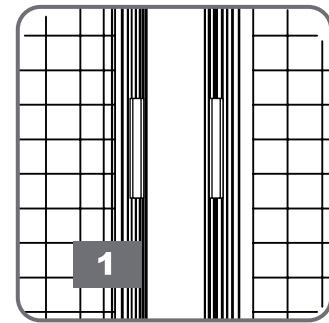
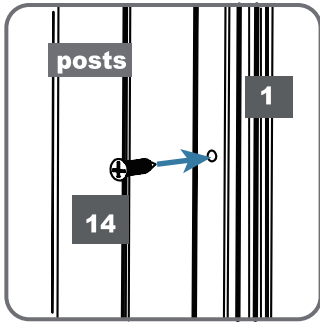
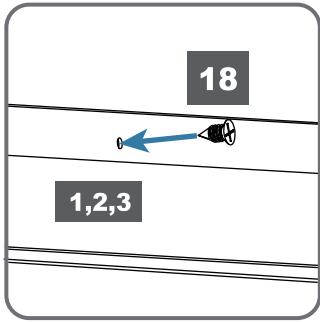


HINTS: The screen cannot pull all the way to the center may caused by restrained string on the short screen (1), check step 1.B. The screen gets harder to pull to the center may caused by incorrect position when attaching the screen to the rail, see photo above.

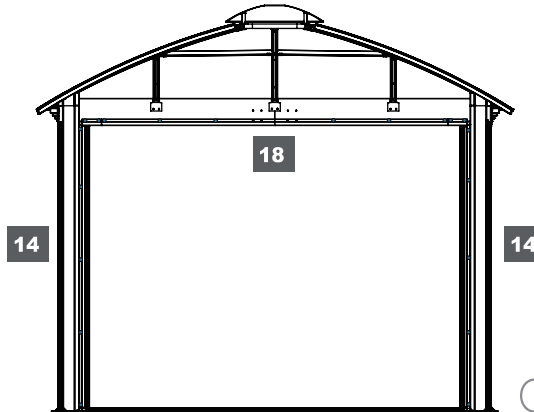


Test the screen by pulling to left and right a couple of times, make sure the screen is functional.

Secure the pre-assembled screen frame (1) and (7A) with screws (18) on the horizontal direction, and screw (14) in the parallel directions.



LONG SIDE



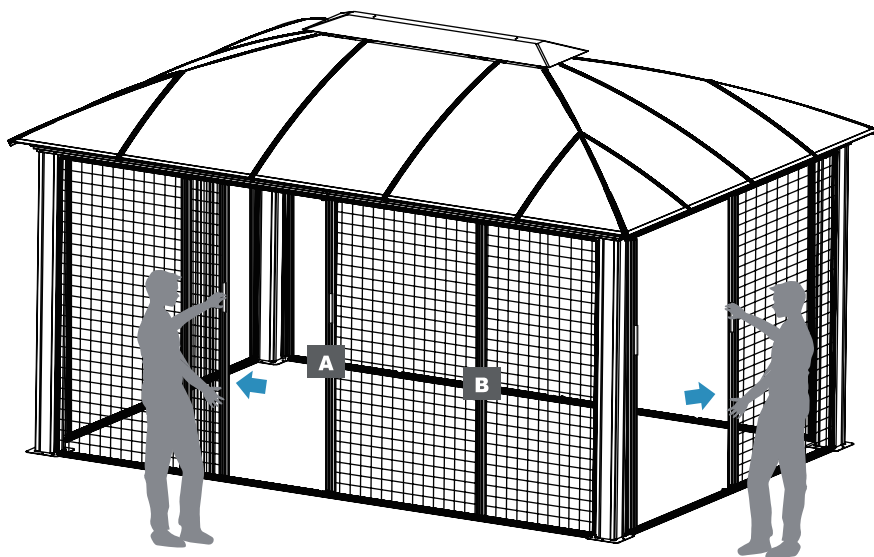
SHORT SIDE

● Positions of screws (14,18) from inside



ATTENTION:

Pull all the screens to the side (to posts direction) when not using. Leave the screen open may cause irregular breaking from wild aniaml or shorten the life time use of the screens.



Warning:

To open the long screen (7A), first pull screen profile B to about 1/4 of the total screen width, then pull screen profile A to the center position.

DO NOT pull screen profile A all the way to the center without pulling screen profile B.



GZH4-1214-SS

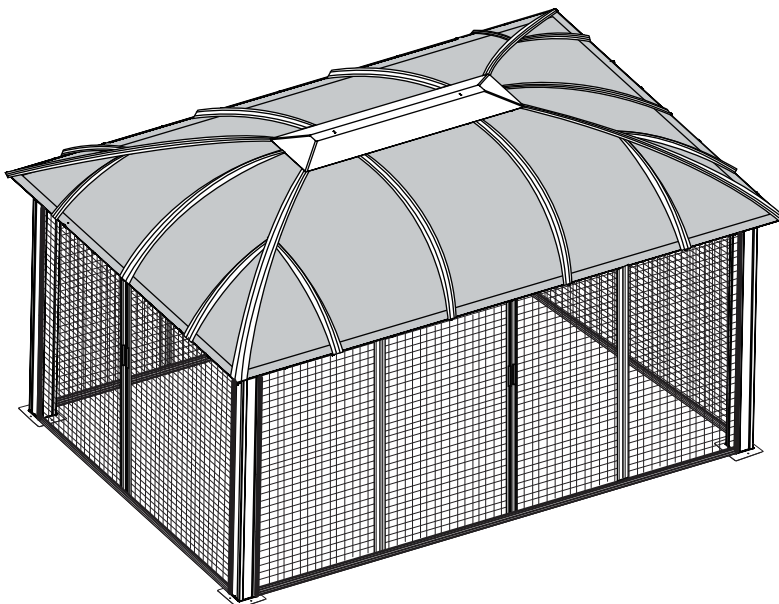
Aluminium Composite Roof Panels

Assembly Instructions

WARRANTY:

Warranty covers damage due to manufacturing defects only for a period of 1 years on the netting, from date of purchase. Warranty does not cover weather inflicted damage and/or damages causes caused by not following assembly instructions and adhering to warnings in manual. Warranty does not cover user error, negligence, or misuse.

ATTENTION: Roof profiles, roof panels and gables must be aligned properly during assembly to minimize any possibility of leaking.



ENJOY YOUR
COMPLETED GAZEBO !



@paragonoutdoorcompany

Paragon Group USA

Customer Service:(877) 782 4482 Email:cs-outdoors@paragongroupusa.com