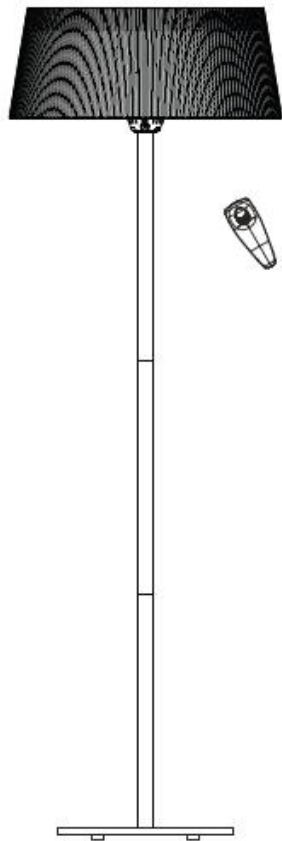




Electric Patio Heater
OH-E815B Midnight Black
OH-E815W White



Unpack the halogen heater making sure that all the items are present and that there are no components left in the box and that the heater head is free from any packing material.

Using the detailed drawing follow the steps to assemble your halogen heater.

Do not connect the halogen heater to the electrical supply until all the assembly is complete.

Do not connect the halogen heater to the electrical supply if any of the components or the power cord is damaged in any way.

If in doubt contact your supplier.

**IMPORTANT- READ CAREFULLY -RETAIN FOR
FUTURE REFERENCE.**

Unpack the heater making sure that all the items are present and that there are no components left in the box and that the heater head is free from any packing material.

Using the detailed drawing and follow the steps to assemble your heater.

Do not connect the heater to the electrical supply until all the assembly is complete.

Do not connect the heater to the electrical supply if any of the components or the power cord is damaged in any way.

If in doubt contact your supplier.

This appliance can be used by children aged from 8 years and above and persons with reduced physical, sensory or mental capabilities or lack of experience and knowledge if they have been given supervision or instruction concerning use of the appliance in a safe way and understand the hazards involved. Children shall not play with the appliance. Cleaning and user maintenance shall not be made by children without supervision.

WARNING: This heater is not equipped with a device to

control the room temperature. **Do not** use this heater in small rooms when they are occupied by persons not capable of leaving the room on their own, unless constant supervision is provided.

Children of less than 3 years should be kept away unless continuously supervised.

Children aged from 3 years and less than 8 years shall only switch on/off the appliance provided that it has been placed or installed in its intended normal operating position and they have been given supervision or instruction concerning use of the appliance in a safe way and understand the hazards involved. Children aged from 3 years and less than 8 years shall not plug in, regulate and clean the appliance or perform user maintenance.

CAUTION: In order to avoid a hazard due to inadvertent resetting of the thermal cut-out, this appliance must not be supplied through an external switching device, such as a timer or connected to a circuit that is regularly switched on and off by utility.

Unpack the halogen heater making sure that all the items are present and that there are no components left in the box and that the heater head is free from any packing material.

Using the detailed drawing and follow the steps to assemble your halogen heater.

Do not connect the halogen heater to the electrical supply until all the assembly is complete.

Do not connect the halogen heater to the electrical supply if any of the components or the power cord is damaged in any way.

If in doubt contact your supplier.

This appliance can be used by children aged from 8 years and above and persons with reduced physical, sensory or mental capabilities or lack of experience and knowledge if they have been given supervision or instruction concerning use of the appliance in a safe way and understand the hazards involved.

Children shall not play with the appliance. **C**leaning and user maintenance shall not be made by children without supervision.

WARNING: This heater is not equipped with a device to control the room temperature. **Do not** use this heater in small rooms when they are occupied by persons not capable of leaving the room on their own, unless constant supervision is provided.

Children of less than 3 years should be kept away unless continuously supervised.

Children aged from 3 years and less than 8 years shall only switch on/off the appliance provided that it has been placed or installed in its intended normal operating position and they have been given supervision or instruction concerning use of the appliance in a safe way and understand the hazards involved.

Children aged from 3 years and less than 8 years shall not plug in, regulate and clean the appliance or perform user maintenance.

CAUTION — Some parts of this product can become very hot and cause burns. **P**articular attention has to be given where children and vulnerable people are present.

IMPROTANT INSTRUCTIONS

Only use the heater on a firm solid horizontal area where all the feet on the base are in contact with the floor. (**S**hould the heater be tilted or fall over the auto cut off switch will activate)

1. **S**ite the heater outside or in a large open area and well away from any obstructions such as branches or where the heater is near any objects that can be effected by heat, such as furniture, curtains or other inflammable objects (minimum distance 1 meter).
 2. **Do not** use near bath tubs, wash areas or swimming pools.
 3. **Do not** use in unventilated areas
 4. **Do not** use where gas, petrol, paint or other inflammable goods are stored.
 5. **Do not** push any items through, obstruct or cover the grill of the heater head.
 6. **Do not** position immediately above or below an electrical socket.
 7. **Do not** move when connected to an electrical supply
- and always wait for the patio heater to cool down before storing away.
8. **Do not** touch the heater head when in use.
 9. **Do not** leave turned on and unattended especially when children and or animals are in the vicinity.
 10. **T**he indication of the different positions of switches shall be visible from a distance of 1M.
 11. **T**he Marking concerning covering shall be visible after the heater has been installed. **I**t shall not be placed on the back of portable heaters.
 12. **T**he unit must be placed with the clearance of 100cm to the wall.
 13. **T**he unit must be correctly installed according to the instructions.
 14. **T**he unit must be securely placed on a horizontal and flat surface.
 15. **T**he unit is at high temperature during operation. **I**t keeps hot for a period after shut down. **P**otential danger would occur when touching it during this period.
 16. **Don't** place the unit closed to curtain and/or other flammable objects. **O**therwise there will be a danger of catching fire.
 17. **Don't** cover the unit with anything during operation or a short time after it's shut down.
 18. **Don't** wrap the power supply cord on the unit.

19. **T**he unit must be handled with care, and avoid vibration or hitting.
20. **T**he unit must be securely grounded during operation.
21. **I**f the unit gets damaged, it must be repaired by professional electricians.
22. **W**hen the power supply cord is damaged, it must be replaced by authorized agent or other professional people to avoid danger.
23. **T**he unit must not be positioned under a socket.
24. **W**hen assembling, keep clear from any board or flammable material.
25. **T**he unit must be supervised by adults if it's used by a child.
26. **I**t is not safe to install the unit by a swimming pool, in a bathroom or shower area.
27. **T**he unit is for household use only. **I**t is not safe to use on a building site, greenhouse, barn or stable where there's flammable dust.
28. **T**he head of the unit is at high temperature during operation. **U**nplug the unit and wait till it cools before cleaning.
29. **D**on't use this unit in place where causticity or volatile air exists, i.e. dust, steam, gas, etc.
30. **D**on't use this unit as a cloth drier or towel drier.
31. **D**on't use this unit as a sauna heater.
32. **D**on't use this unit as a room heater.
33. **D**on't use this unit in place of animal propagating and raising.
34. **D**on't immerse this unit into water for cleaning.
35. **T**he unit should be plugged in a socket, which is easily visible and reachable.
36. **O**ne dark point may exist on the surface of the heating elements during the first few minutes after it is turned on. **T**his is normal, and will not affect the performance of the unit.
37. **T**he heater must not be located immediately below a socket-outlet.
38. **D**o not use this heater in the immediate surroundings of a bath, a shower or a swimming pool.
39. **WARNING!** In order to avoid overheating, do not cover the heater
40. **D**o not use this heater with a programmer, timer, separate remote-control system or any other device that switches the heater on automatically, since a fire risk exist if the heater is covered or positioned incorrectly.
41. **T**he appliance is not to be used by children or persons with reduced physical, sensory or mental capabilities, or lack of experience and knowledge, unless they have been supervision or instruction.
42. **C**hildren being supervised not to play with the appliance

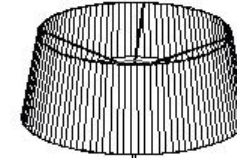
43. If the supply cord is damaged, it must be replaced by the manufacturer, its service agent or similarly qualified persons in order to avoid a hazard.



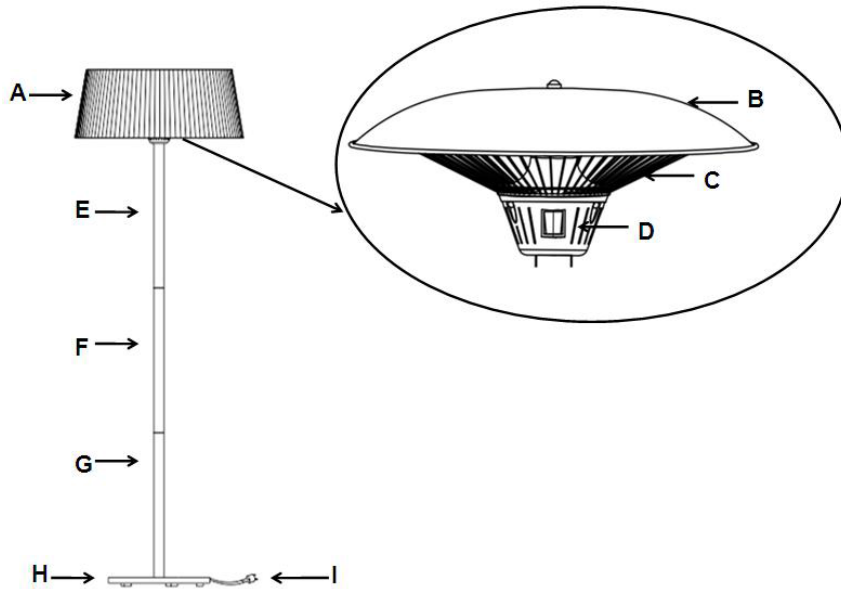
Warning: Please tear off all the hyaline protect film around the big Decoration Cover first!



WARNING: Cancer and Reproductive Harm
- www.P65Warnings.ca.gov.



Product Overview

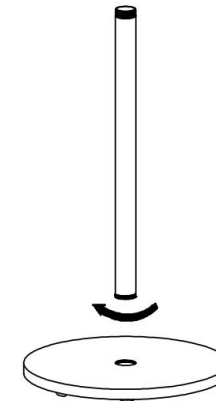


A. Decoration Cover
E. Top tube
G. Bottom tube
I. Power Cable

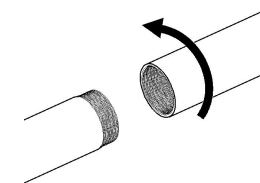
B. Heater Head
C. Heating lamp
D. Switch Box
F. Middle tube
H. Base

Assembling Process

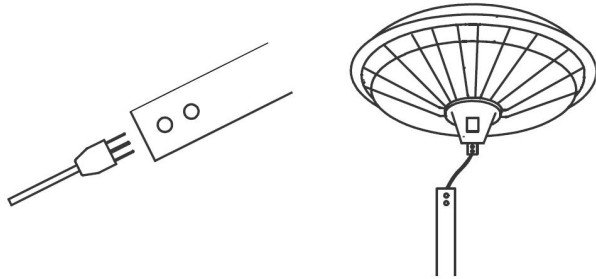
Step 1: Connect the bottom tube with base by screwing them together.



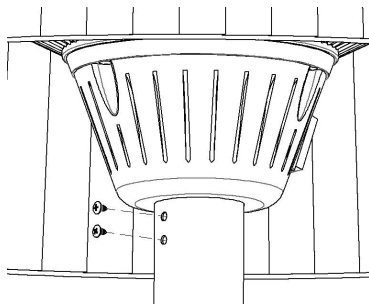
Step 2: Connect the middle tube with bottom tube by screwing them together. Connect the top tube with middle tube by screwing them together.



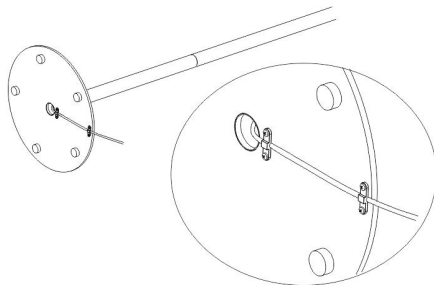
Step 3: Place the power cord plug through the top pole, middle pole and bottom pole. Pull the power cord through the bottom of the base as far as it will go.



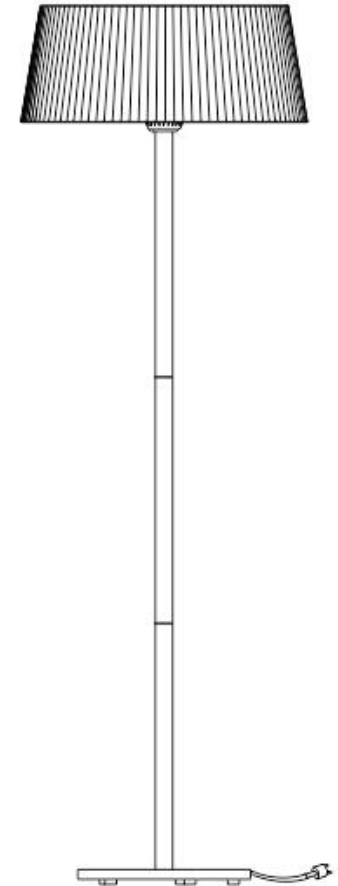
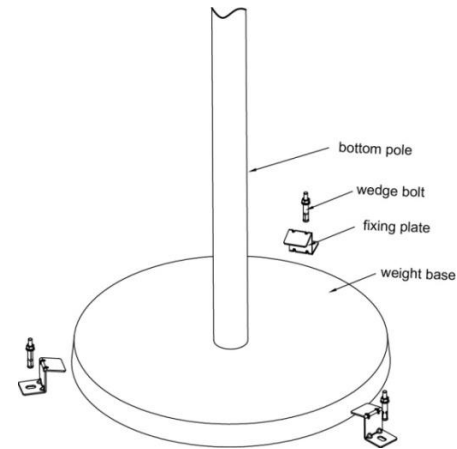
Step 4: Push the Heater Head onto the Top Tube and fix in position using the 4*8mm screws.



Step 5: Fix the Power Cord on the Base by using 4pcs M4 Screws.



Step 6: Fix the heater on the floor. Bore three holes in the floor, fix the heater by three wedge bolts on the floor tightening the screws by spanner.



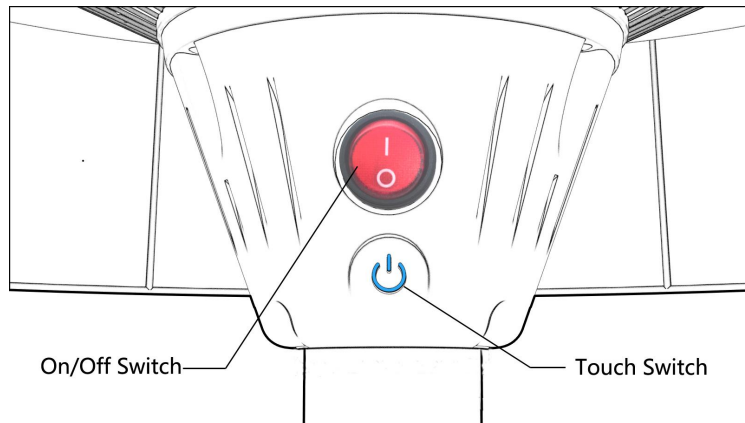
Complete!

OPERATING INSTRUCTIONS

Connect the power cable to a 13 amp supply that is located in a safe, dry area.

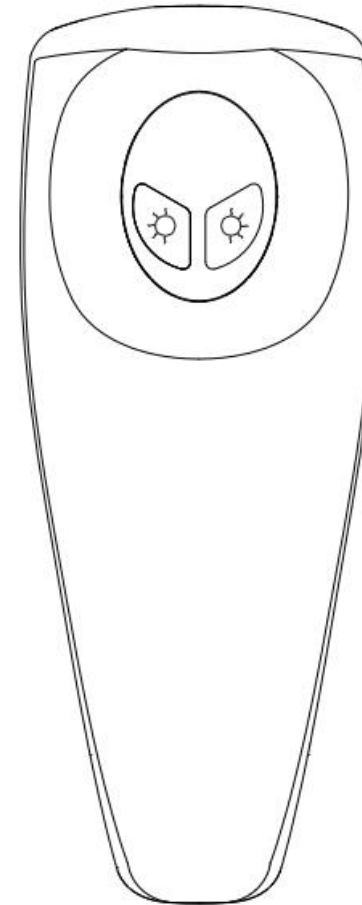
WARNING: The heater must be properly installed before it is used. This unit is equipped with one heat setting On / Off.

- A. Plug the Patio Heater into a grounded 120V, 60Hz power outlet
- B. Only operate the heater when it is in the upright position.
- C. Our Electric Patio Heater is equipped with Three heat settings
- D. The ON-OFF switch on the heater is used to control the power of the heater.
- E. Press on the On/Off switch to activate the heater



Remote Control

To operate heater, please press the remote control button. Press on the left side button for 700W, press on the right side button for 800W. Both buttons are pressed for 1500W.



Touch Switch

- Press on the button once to operate the heater on low (700W) power.
- Press on the button twice to operate the heater on high (800W) power.
- Press on the button third times to operate the heater on (1500W) power.
- Press on the button four times to shut the light and heat off.

Care and maintenance

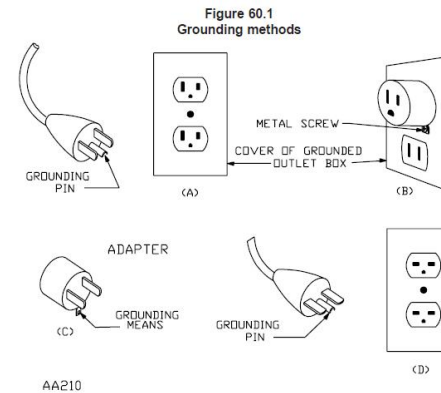
- When disconnected from the electrical supply, clean the outside of the patio heater with a damp cloth. Never use corrosive or solvent cleaners or immerse in water.
- Any maintenance or repairs including replacing the halogen tube should only be carried out by a qualified electrician or by a recommended service center.

Technical specification

- Power supply 120V~ 60Hz
- Wattage max 1500W
- Insulation class I

Grounding instructions

This heater is for use on 120 volts. The cord has a plug as shown at A in Figure 60.1. An adapter as shown at C is available for connecting three-blade grounding-type plugs to two-slot receptacles. The grounding plug extending from the adapter must be connected to a permanent ground such as a properly grounded outlet box. The adapter should not be used if a three-slot grounded receptacle is available.



Thank you for choosing to buy a PARAGON OUTDOOR product.

If you have a question about your PARAGON OUTDOOR heater, call the PO Helpline at 1-877-782-4482 with your serial number and details of where and when you bought the unit.

Most questions can be solved over the phone by one of our Helpline staff. If your heater needs service, call the PO Helpline so we can discuss the available options. If your heater is under warranty, and it is a covered repair, it will be repaired at no cost.

To help us ensure you receive prompt and efficient service, please register as a PO owner. There are two ways to do this:

- by completing and returning the enclosed form to us by mail
- online at www.paragon-outdoor.com

This will confirm ownership of your Paragon Outdoor in the event of an insurance loss, and enable us to contact you if necessary. Terms and conditions of the Paragon Outdoor 5.3.1. year limited warranty

WHAT IS COVERED:

Your Paragon Outdoor heater is warranted against original defects in material and workmanship for a period of five years from the date of purchase, when used for private household purposes in accordance with the PO Owner's Manual. This warranty provides, at no extra cost to you, all parts to place your heater in proper operating condition during the warranty period.

REGISTERED OWNER IS RESPONSIBLE FOR THE COST OF SHIPPING ON ANY PARTS OR REPLACEMENTS

This warranty is subject to the following terms:

WHAT IS NOT COVERED:

PARAGON OUTDOOR, Inc. shall not be liable for costs incurred as a result of:

- Heaters purchased from an unauthorized dealer.
- Use of parts not in accordance with the Owner's Manual.
- Careless operation or handling, misuse, abuse and/or lack of maintenance or use not in accordance with the Owner's Manual.
- External sources such as weather.
- Repairs or alterations carried out by unauthorized parties or agents.
- Use of the heater other than for normal domestic purposes within the United States, e.g. for commercial or rental purposes.
- Use of parts and accessories other than those produced or recommended by Paragon Outdoor, Inc.

FOR IMMEDIATE ASSISTANCE



**PARAGON
OUTDOOR**

**PARAGON OUTDOOR HELP-
LINE:**

Call 1-877-782-4482 toll free,
7 days a week.
Please register as:
a PARAGON OUTDOOR owner

Warranty Service

- Please fill out and return the Product Registration form, or register online at www.paragon-outdoor.com
- Before service can take place, the terms of the warranty require that you contact the PO Helpline with your model name/number, serial number, date and place of purchase. Please keep your purchase receipt in a safe place to ensure you have this information.
- All work will be carried out by PARAGON OUTDOOR, Inc. or its authorized agents.
- Any replaced defective parts will not extend the period of this warranty.
- Service under this warranty will not extend the period of this warranty

PLEASE CONTACT THE MANUFACTURER DIRECTLY WITH ANY QUESTIONS, COMMENTS OR CONCERNS WITH THIS PRODUCT:

PARAGON OUTDOOR: (US) OFFICES: 100 West Forest Avenue, Unit C, Englewood, NJ 07631- MON-FRI 9AM - 5PM EST
PARAGON OUTDOOR TEL: (US) 1-877-782-4482 EMA: support@paragon-outdoor.com - WEB: www.paragon-outdoor.com

PARAGON OUTDOOR
100 W. FOREST AVE. UNIT C
ENGLEWOOD, NJ 07631
www.paragon-outdoor.com

