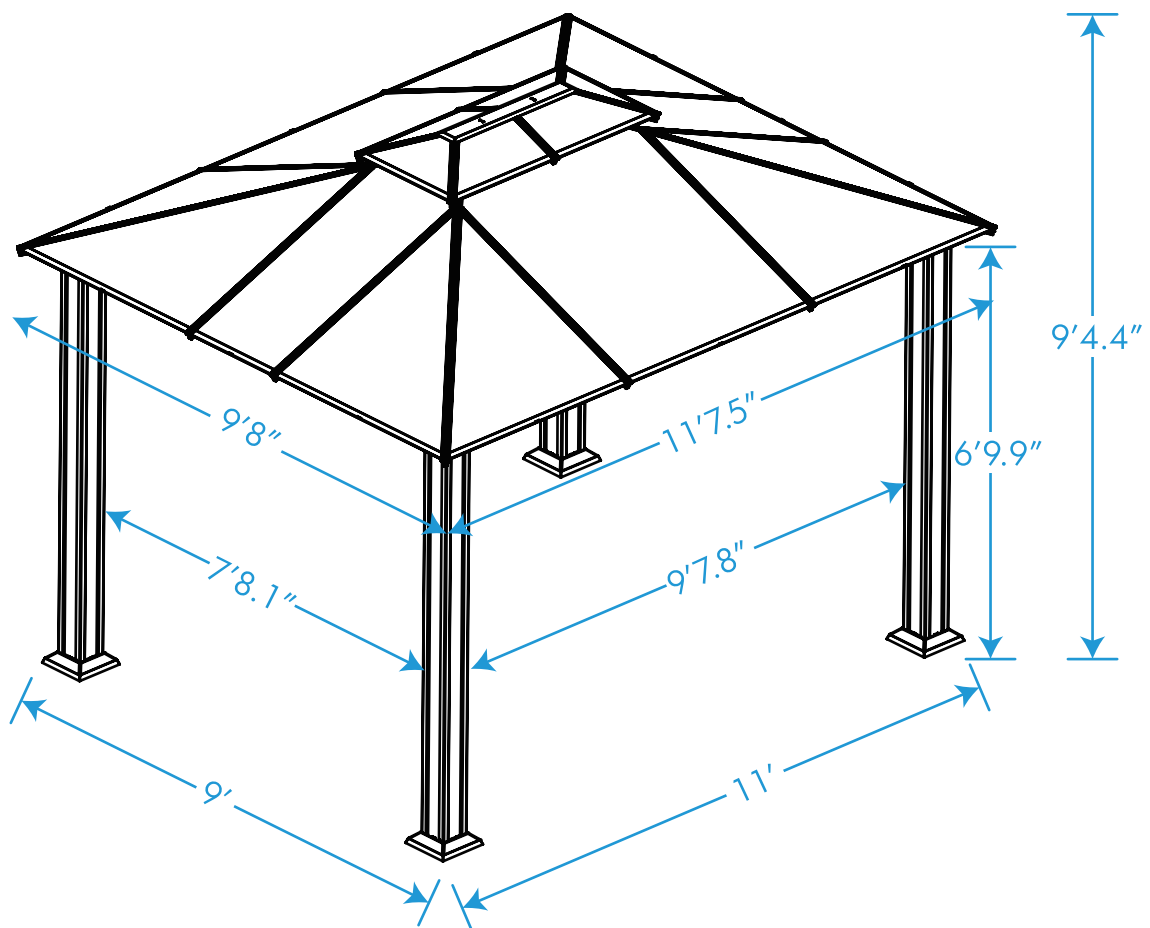




Gazebo GZH3-1012BK

Aluminium Composite Roof Panels
Assembly Instructions

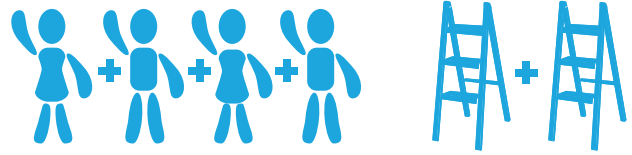


@paragonoutdoorcompany

Paragon Group USA

Customer Service: (877) 782 4482 Email: cs-outdoors@paragongroupusa.com

Introduction



Thank you for purchasing the Gazebo GZ3C.

When properly assembled and maintained, this gazebo will provide many years of enjoyment!

These instructions include helpful hints and important information needed to safely assemble and properly maintain the gazebo. Please read these instructions completely before you begin.

Our patented gazebo has been designed for easy assembly. All steps can be completed by a team of four people. The assembly should take about two hours.

Before Starting Assembly:

CAREFULLY READ ALL THE INSTRUCTIONS BEFORE YOU BEGIN AND FOLLOW THE STEPS IN THE ORDER THEY ARE PRESENTED.

1. Make sure you have all the necessary parts:

Compare the contents of all cartons to the List of Parts. If any parts are missing or damaged, or you have any questions, please contact Customer service: (877)782 4482 before beginning assembly.

2. Lay the parts out in separate staging areas:

The List of Parts has the corresponding step number referenced to each part. We recommend that while you go through the list, make staging areas for each step and place the parts necessary for each step in these areas. This will save you time and effort during assembly.

3. Select a Location:

When selecting a location for your gazebo, a flat level area is essential and if possible with proper water drainage and easy access to power and water, if necessary.

Choose a sunny, level position away from overhanging trees and power lines and protected from the wind as much as possible. Locate underground pipes or cables before preparing the site or anchoring the gazebo.

Note: You may assemble the gazebo on a hard level surface and move it to its final location when finished. Make sure that there are no obstacles between the assembly area and the final position.

4. Prepare a Foundation:

After choosing a location, proper preparation of the site is recommended. The site must be level.

If the site is not level, create a base slightly larger than the outside dimensions of the gazebo using a perimeter of two by fours filled with either soil, sod or gravel.

Make sure the base is square by measuring the diagonals from both directions and making sure they are equal. The gazebo is secured with pegs into holes cast with concrete.

If you decide to have a concrete base, it is best to contact a reliable contractor to make sure it is flat and level. Make sure you have checked with your local authorities regarding any required building permits.

5. Make sure you have the proper tools:

- Tape Measure
- Work Gloves
- Safety goggles
- Phillips Screwdriver
- Spirit Level
- 3/8" masonry drill bit to drill holes for the concrete anchors supplied.
- 2 Small Step Ladders
- Wooden Mallet
- Scissors and knife
- Liquid soap or WD40 Lubricant
- Hex Key (included)

NOTE: A cordless drill with Phillips head bit is highly recommended but not essential.

Safety Advice

- The gazebo must be positioned and fixed on a flat level surface.
- Dispose of all plastic bags safely. Keep them out of the reach of children.
- Keep children and pets away from the assembly area until the work is completed.
- Always wear shoes, gloves and safety goggles when working.
- Take special care not to touch overhead power lines with the aluminium profiles.
- Do not attempt to assemble the gazebo in windy or wet conditions.
- Do not position your gazebo in an area exposed to excessive wind.
- If using power tools or a ladder, always follow the manufacturers safety instructions.
- Hot items such as recently used grills, blowtorches etc. must not be stored in the gazebo.
- Make sure the gazebo complies with local building codes.



ATTENTION:

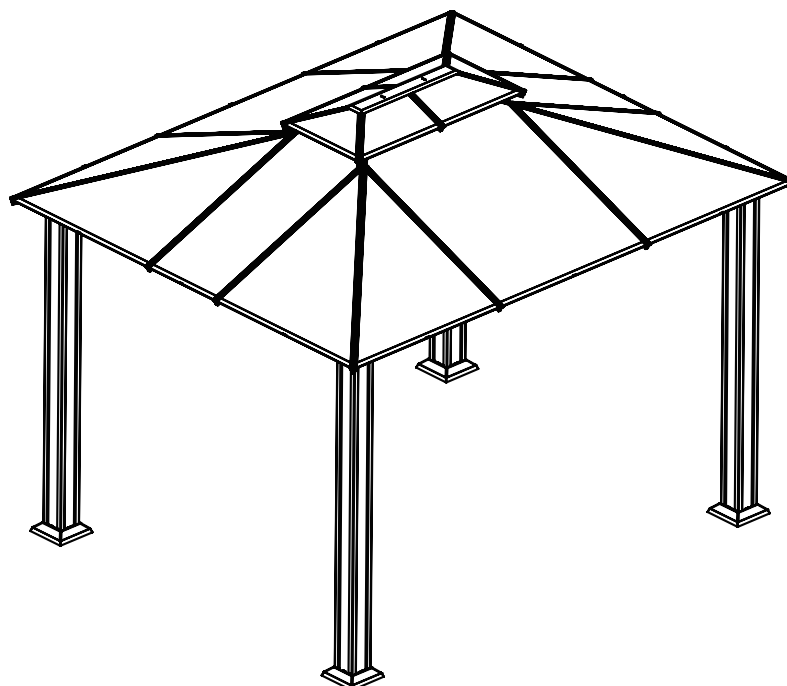
DO NOT ATTEMPT TO ASSEMBLE THE GAZEBO ALONE!

Table of Contents

Introduction.....	2
Table of Contents.....	3
List of Parts.....	4
Step 1 : Assembling the Corner Profiles	6
Step 2 : Assembling the Rails.....	8
Step 3 : Assembling the Rails to the Corner Profiles	10
Step 4 : Secure the Gazebo to the ground ..	12
Step 5 : Installing the Lower Roof gable Profiles	13
Step 6 : Installing the Lower Horizontal Roof Profiles.....	19
Step 7 : Installing the Roof Panels and Upper Roof Profiles.....	20
Step 8 : Installing the Plastic Caps	25

General Order of Assembly

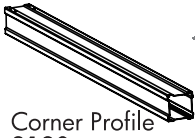
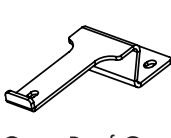
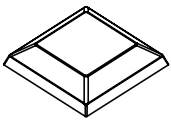
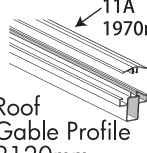
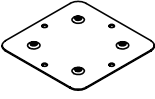

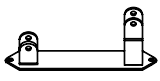
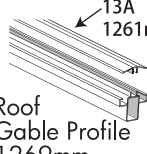
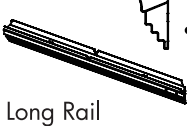
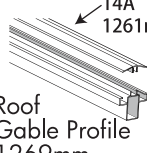
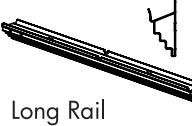

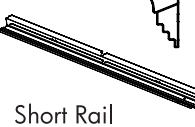
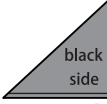
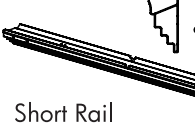
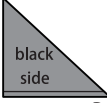
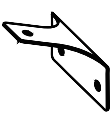

- Step 1** : Assembling the Corner Profiles
- Step 2** : Assembling the Rails
- Step 3** : Assembling the Rails to the Corner Profiles
- Step 4** : Secure the Gazebo to the ground
- Step 5** : Installing the Lower Roof gable Profiles
- Step 6** : Installing the Lower Horizontal Roof Profiles
- Step 7** : Installing the Roof Panels and
Upper Roof Profiles
- Step 8** : Installing the Plastic Caps

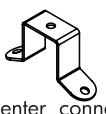

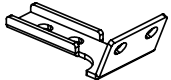
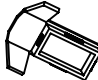
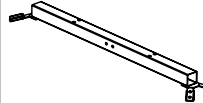

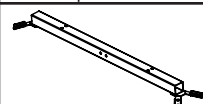




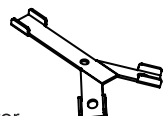
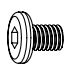
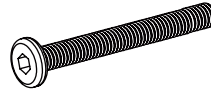
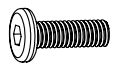
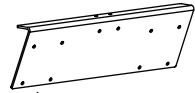
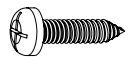
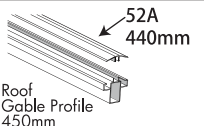

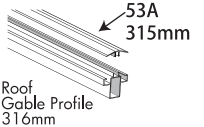
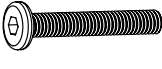
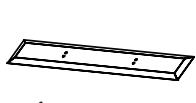
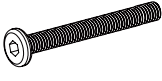
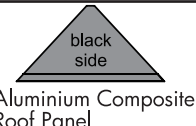

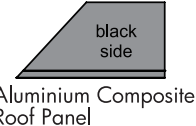

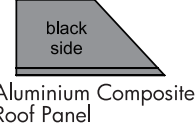



List of Parts

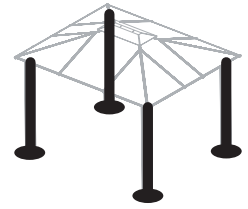


The gazebo is shipped in four cartons. These cartons are heavy. Be careful when lifting them. Wear proper safety gear including work shoes, gloves and goggles. The parts are identified by removable sticks. Place all the parts for each step in staging areas, checking that you have all parts as you go. If any parts are missing or damaged, contact customer service before beginning assembly:
Customer Service:(877) 782 4482 Email:cs-outdoors@paragongroupusa.com

No.	Profile	Qty	Step	Box	No.	Profile	Qty	Step	Box
1	 Corner Profile 2190mm	4	1	2	10	 Outer Roof Connector	12	2	3
2	 Support Frame	4	1	3	11	 Roof Gable Profile 2120mm	4 4	5,7	2
3	 Support Plate	4	1	3	12	 Roof Gable Profile 1388mm	2	5	1
4	 Corner Roof Connector	4	1	3	13	 Roof Gable Profile 1269mm	4 4	5,7	2
5	 Long Rail 1678mm	2	2	1	14	 Roof Gable Profile 1269mm	4 4	5,7	2 1
6	 Long Rail 1678mm	2	2	1	15	 Aluminium Composite Roof Panel	2	7	4
7	 Short Rail 1378mm	2	2	2	16	 Aluminium Composite Roof Panel	4	7	4
8	 Short Rail 1378mm	2	2	2	17	 Aluminium Composite Roof Panel	4	7	4
9	 Inner Roof Connector	10	2	3	18	 Aluminium Composite Roof Panel	2	7	4

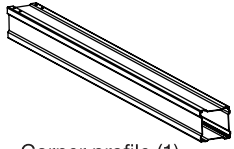
No.	Profile	Qty	Step	Box	No.	Profile	Qty	Step	Box
19	 Top center connector	1	5	3	37	 Plastic cap #1	10	5,8	3
20	 Top center connector	2	5	3	38	 Plastic cap #2	8	5,8	3
21	 Roof Top Connector Beam	1	5	3	40	 Concrete bolts, washers M8x70mm	16	4	3
22	 Roof Top Connector Beam	1	5	3	41	 Spanner Magnetic hex key	1		3
23	 U-shaped Connector	2	5	3	42	 Hook	1	6	3
27	 Corner Cap	4	6	3	43	 Y-connector	4	5	3
28	 Screw M6x8mm	32	2	3	45	 Screw M6x55mm	2	5	3
29	 Screw M6x18mm	121	2,3,5	3	51	 Rail connector	4	2	1,2
30	 Screw M6x25mm	32	1,6	3	52	 Roof Gable Profile 450mm	4	5	3
31	 Screw M6x33mm	8	5	3	53	 Roof Gable Profile 316mm	2	5	3
32	 Screw M6x38mm	64	5,7	3	54	 Roof Top Cover	1	5	3
33	 Screw M6x45mm	8	5	3	55	 Aluminium Composite Roof Panel	2	5	3
34	 Screw M4x8mm	12	7	3	59	 Aluminium Composite Roof Panel	2	5	3
35	 Nut M6	10	5	3	60	 Aluminium Composite Roof Panel	2	5	3
36	 Plastic cap #3	32	3	3	We included some extra screws and bolts for your convenience.				

STEP 1 Assembling the Corner Profiles



Place all the parts on a level surface.
 Make sure the pieces are in the correct positions before assembling.
 Carefully follow the order of assembly to ensure an easy installation.
 Wear proper safety gear including work shoes, gloves and goggles.

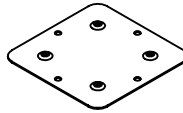
Components



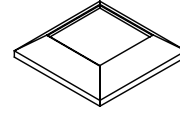
Corner profile (1)
x 4



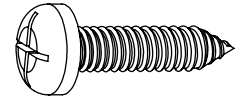
Corner roof connector (4)
x 4



Support plate (3)
x 4



Support frame (2)
x 4



Screw (30)
x 24



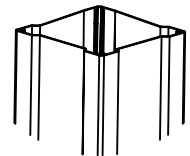
ATTENTION: The corner profile (1) has two screw holes to connect it to the corner roof connector (4) and 8 pre-drilled screw holes to attach rails (5,6,7,8) in step 3 at its top end. It has four screw holes to connect it to the support plate (3) at its bottom end.

1



Top end

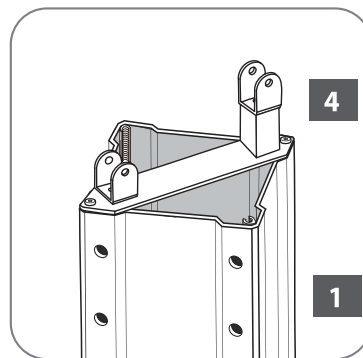
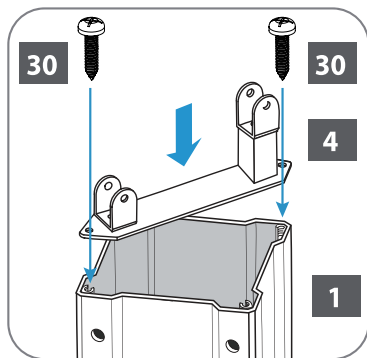
1



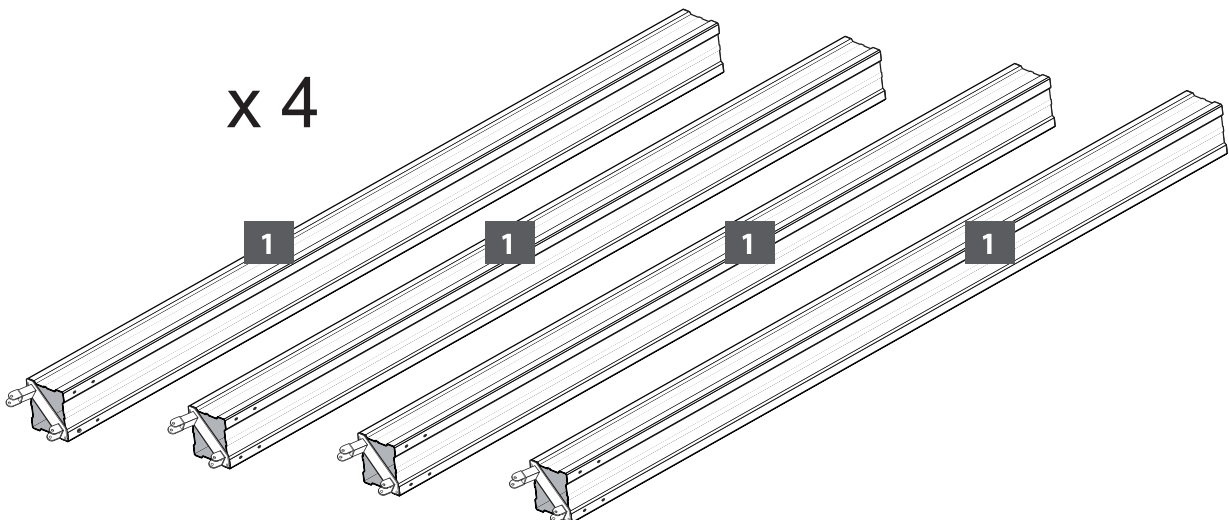
Bottom end

1.A

Place corner profiles (1) parallel to each other on the ground. Attach one corner roof connector (4) to each top end as shown and fasten with screws (30).

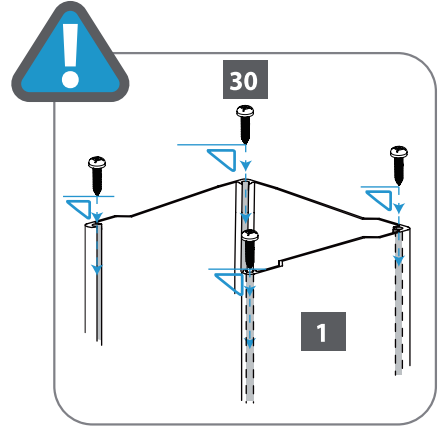
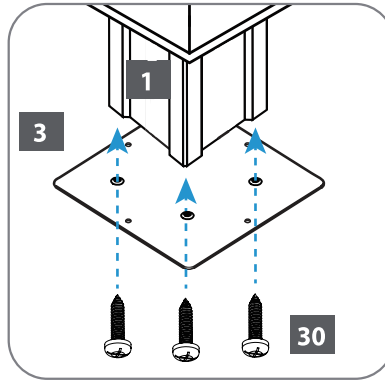
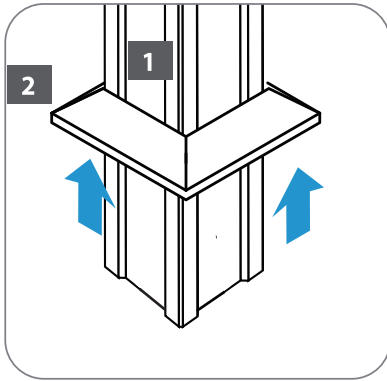


x 4

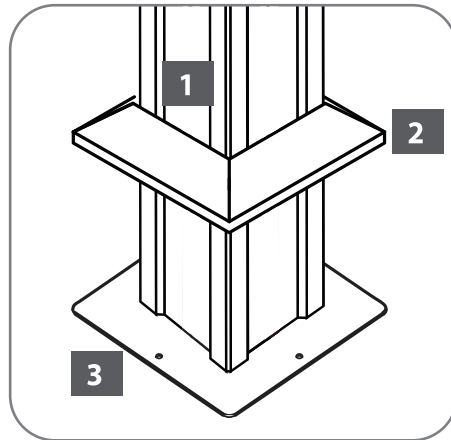


1.B

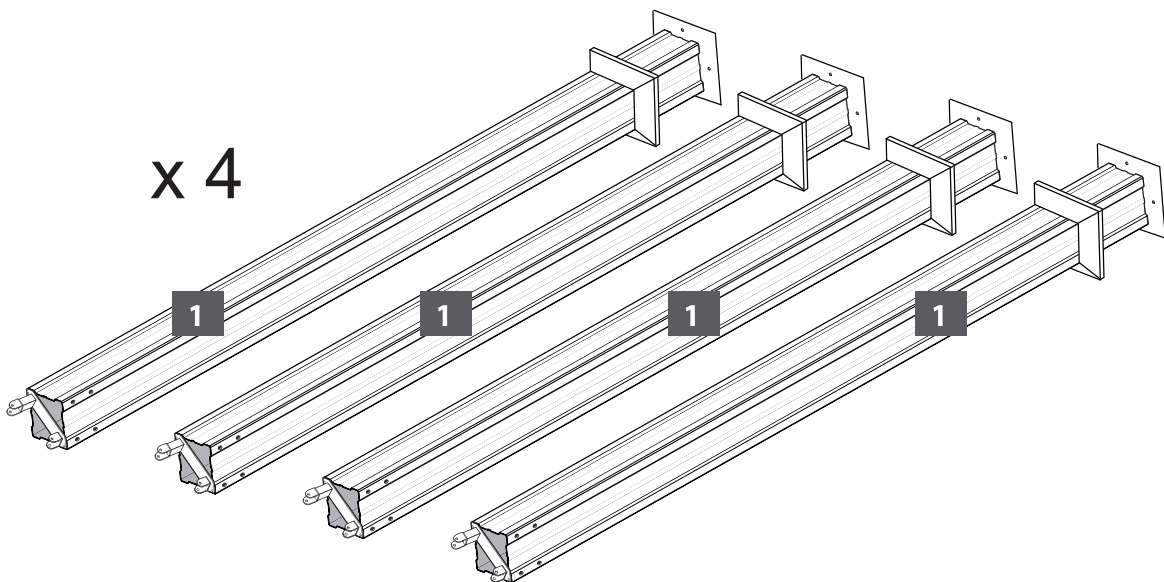
Slide support frames (2) over lower end of corner profiles (1).
Attach support plates (3) to corner profiles (1) as shown, using four tapping screws (30) for each plate, make sure all tapping screws are perpendicularly into the profile holes.



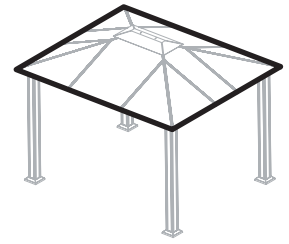
Leave support frames (2) about 10" over lower end of corner profiles (1) until step 4.
(Secure the gazebo to the ground)



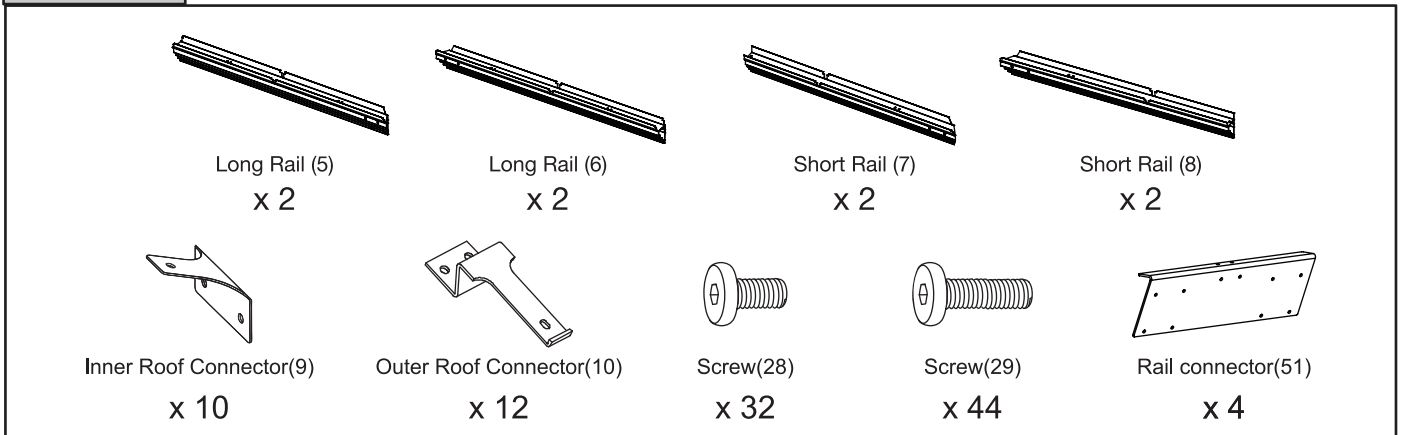
x 4



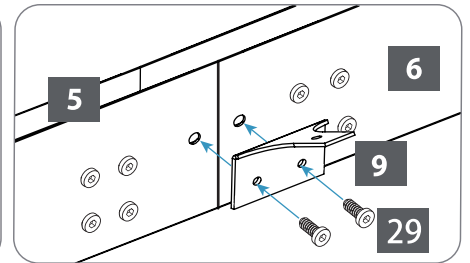
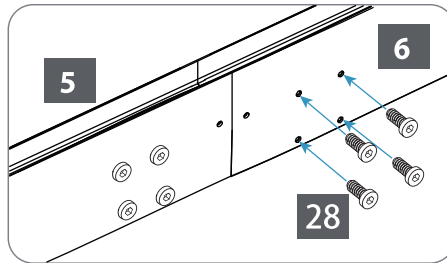
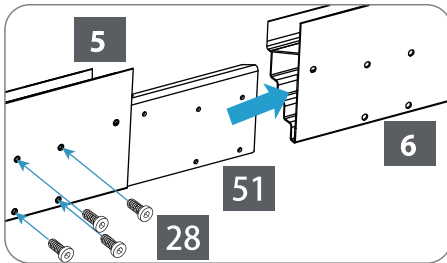
STEP 2 Assembling the Rails



Components

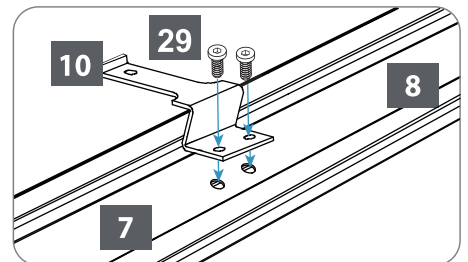
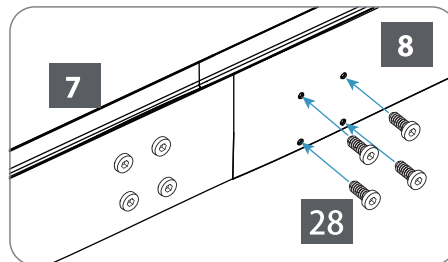
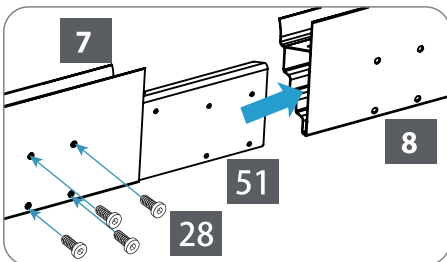


- 2.A** Insert rail connector (51) into blunt end of long rail (5) secured with screws (28).
Insert long rail (5,51) into blunt end of long rail (6) secured with screws (28) as shown.
Repeat to create two sets of long rails.



Attach inner roof connector (9) to long rail set (5,6) as shown, using two screws (29).
Repeat to create two sets.

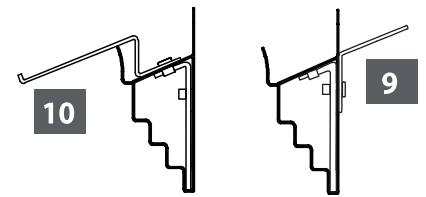
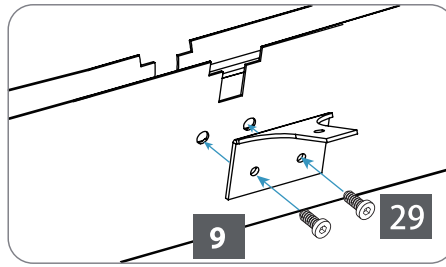
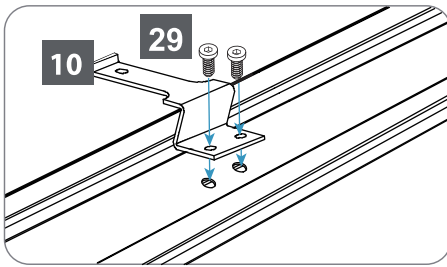
- 2.B** Insert rail connector (51) into blunt end of short rail (7) secured with screws (28).
Insert long rail (7,51) into blunt end of short rail (8) secured with screws (28) as shown.
Repeat to create two sets of long rails.



Attach outer roof connector (10) to long rail set (7,8) as shown, using two screws (29).
Repeat to create two sets.

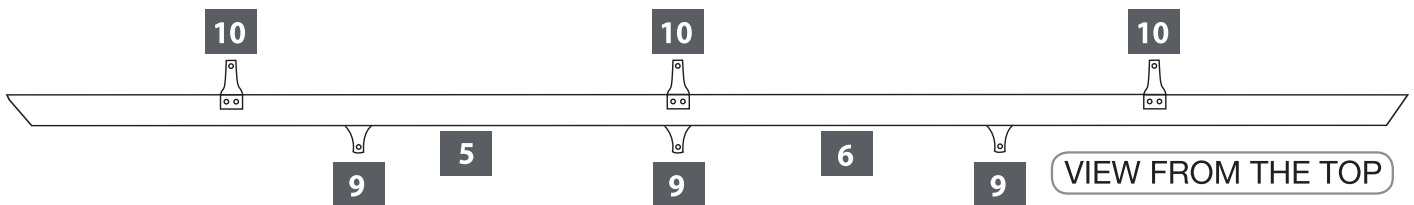
2.C

Attach three outer roof connectors (10) to each long rail set (5,6) at pre-drilled screw holes, using screws (29).



VIEW FROM SIDE

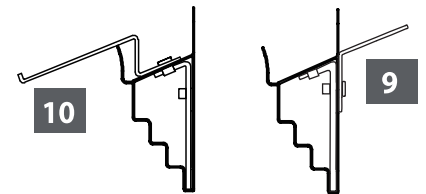
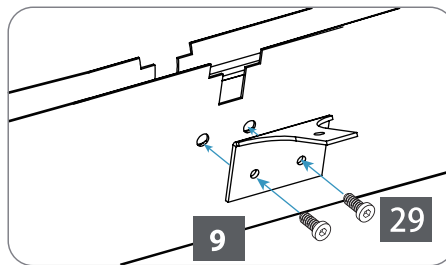
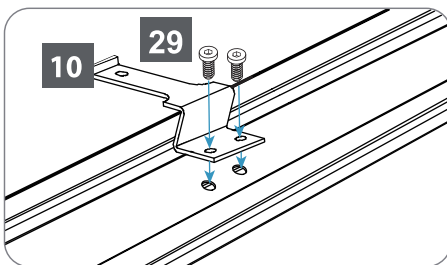
Attach three inner roof connectors (9) to each long rail set (5,6) at pre-drilled screw holes, using screws (29).



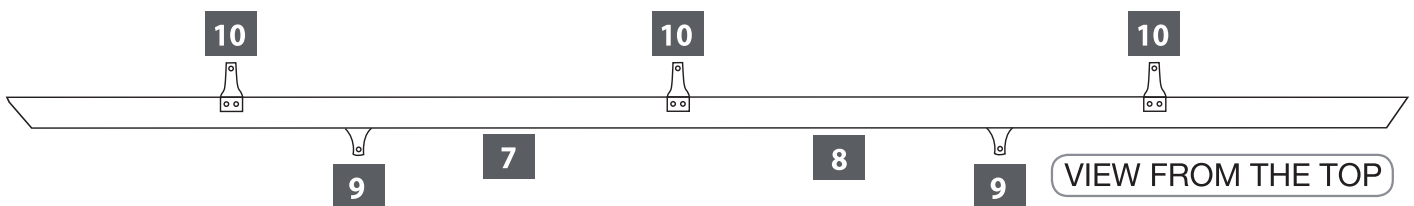
VIEW FROM THE TOP

2.D

Attach three outer roof connectors (10) and two inner roof connectors (9) to each short rail set (7,8) at pre-drilled screw holes, using screws (29).



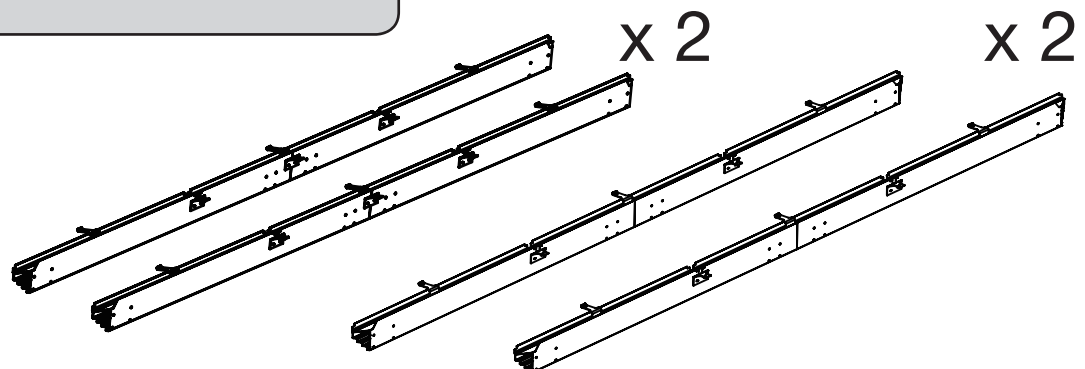
VIEW FROM SIDE



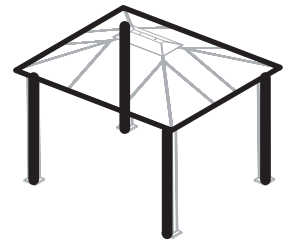
VIEW FROM THE TOP



ATTENTION: Attach roof connectors facing exactly in the directions shown.

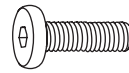


STEP 3 Assembling the Rails to the Corner Profiles



3.A Attach one short roof profile set (7+8) to two corner profiles (1) as shown, using screws (29) and supplied magnetic hex key (41) through holes in profile set.

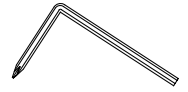
Components



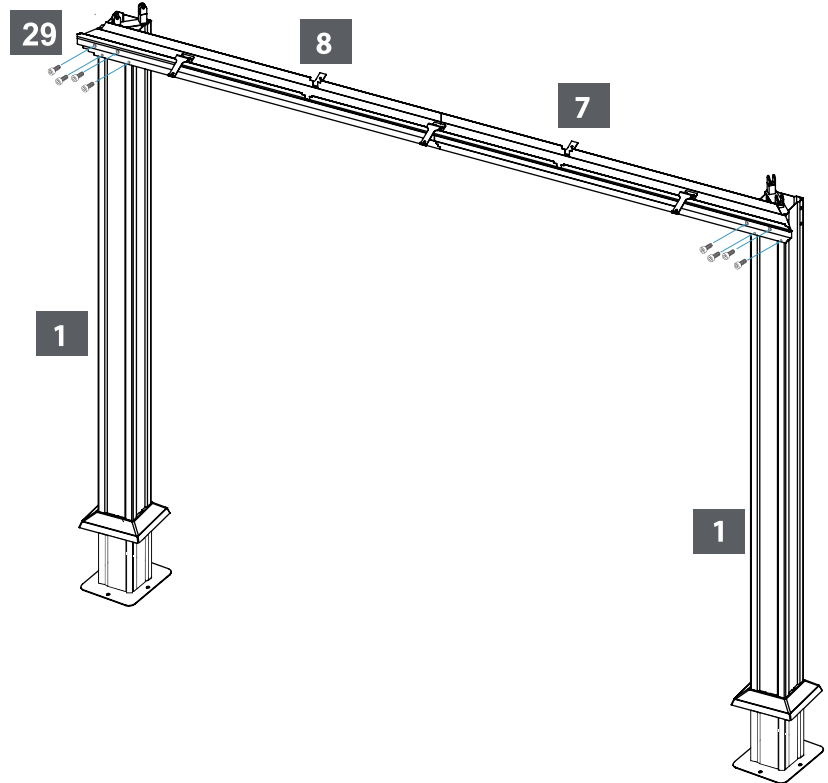
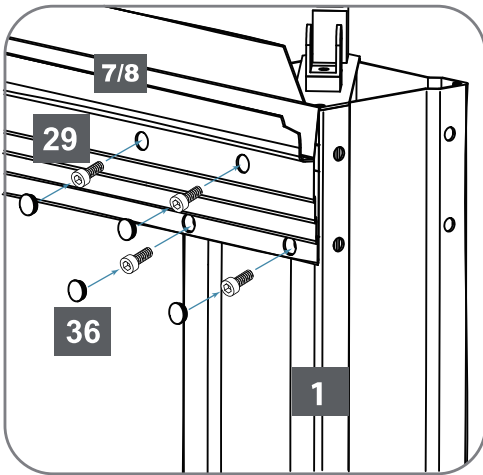
Screw (29)
x 32



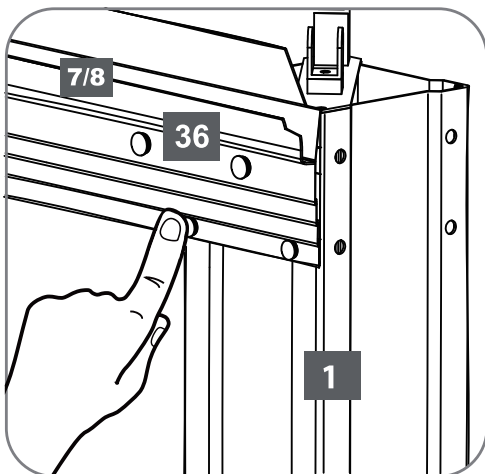
Plastic Cap #3 (36)
x 32



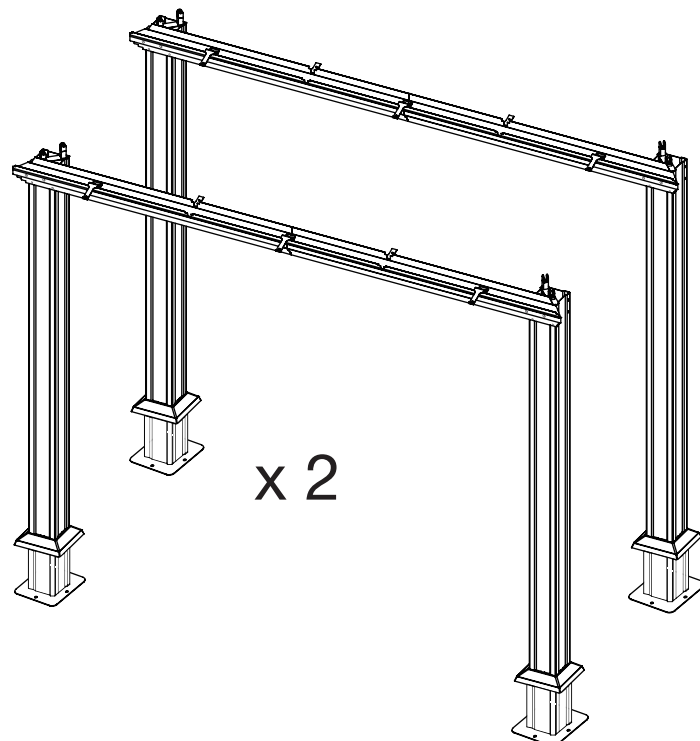
Magnetic Hex Key (41)
x 1



3.B Close holes in profile set with plastic caps #3 (36).



Repeat step 3.A and 3.B to create two sets.

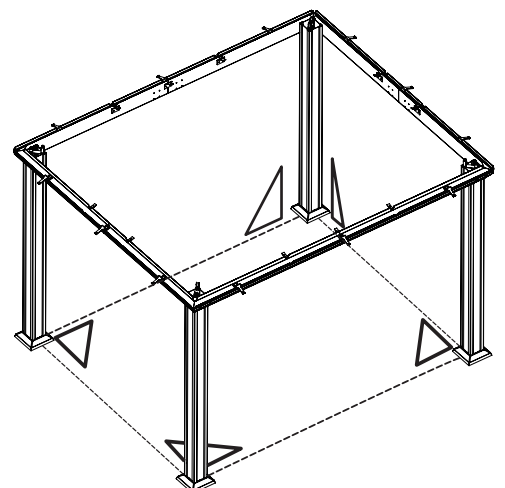
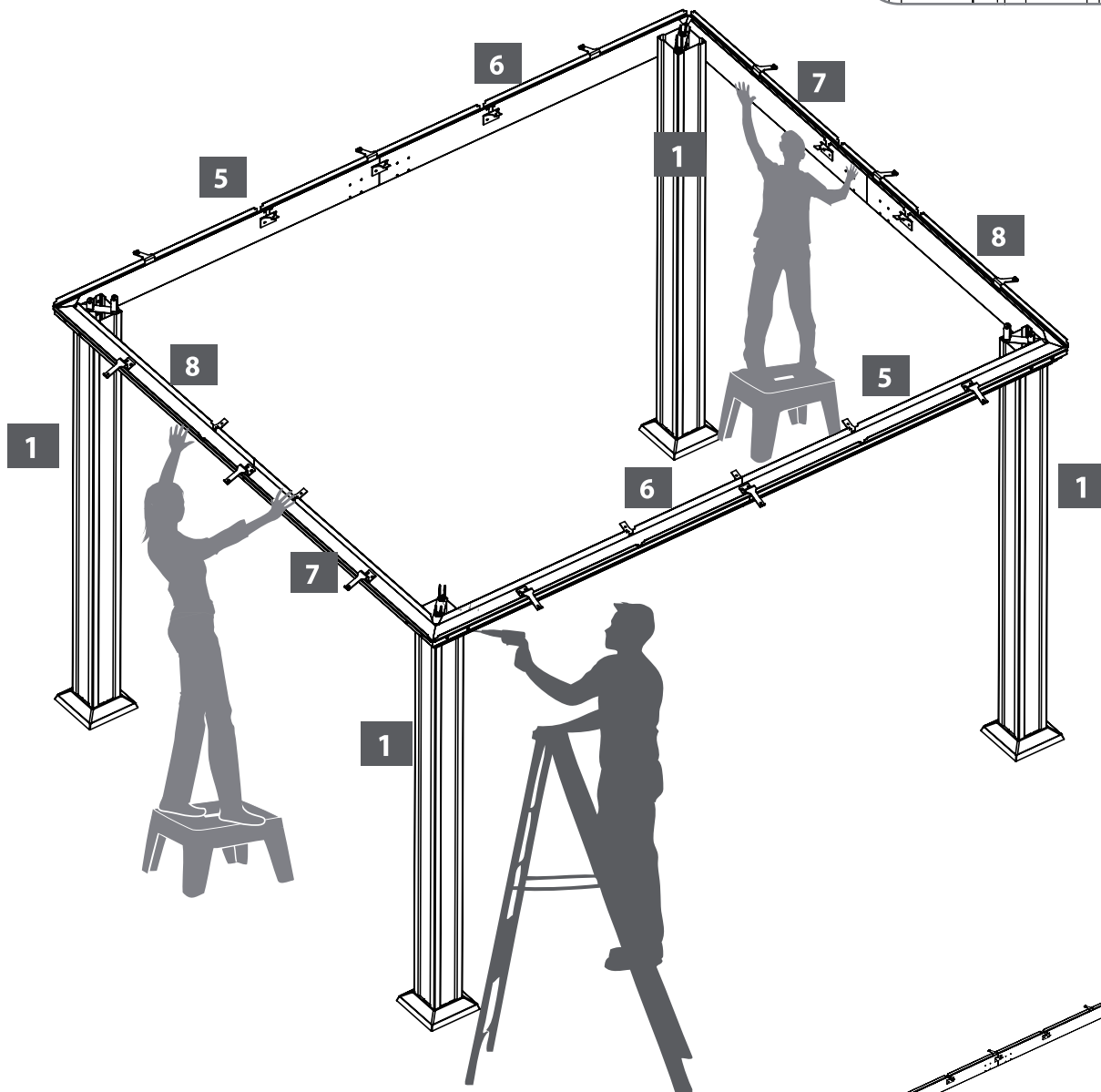
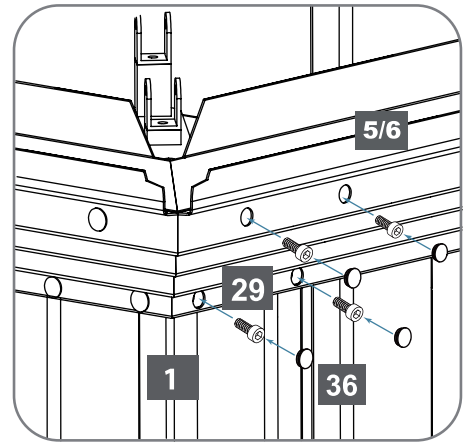


3.C

Using at least 3 people, attach the two long roof profile sets (5+6) to corner profiles (1), connecting all four corner profiles (1).

Fasten with four screws (29) and supplied magnetic hex key (41) on each side.

Close holes in profile sets with plastic caps #3 (36).



IMPORTANT: After this step you should place the gazebo frame in its desired location. Make sure all corners are squared at 90 degrees.

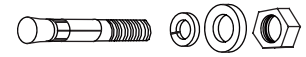
STEP 4 Secure the Gazebo to a Concrete Floor or Wood Deck

4.A

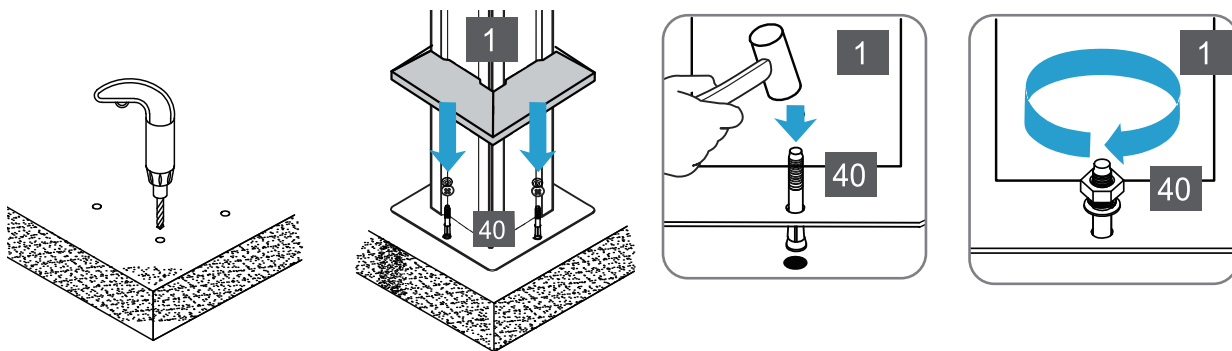
Concrete Floor:

1. Drill holes approx. 3.00 inches deep and use a mallet to set up.
2. 3/8" masonry drill bit to drill holes for the concrete anchors supplied.
3. Using a concrete drill, drill holes into the concrete floor, corresponding to the holes in support plates (3).
4. Insert concrete bolts (40) into the holes and hammer into place, using a mallet.
5. Fasten concrete bolts with washers and nuts.

Components



Concrete bolts, washers and nuts (40)
x 16



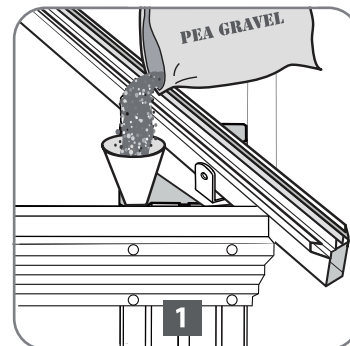
Wood Deck:

1. Using an electric wood drill, drill holes into the wood floor, corresponding to the holes in support plates (3).
2. Insert wood screws with washers (not supplied) into the holes and fasten, using an electric screw driver.

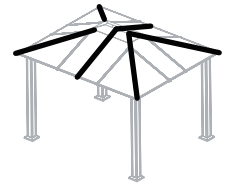


Wood Bolts, washers X 16
NOT SUPPLIED
to be purchased by user

! NOTE: After securing the gazebo to the ground, we highly recommend filling the corner profiles (1) with 2 bags (20LBs each) of Pea Gravel each for extra stability, as shown.



STEP 5 Installing the Lower Roof Gable Profiles



ATTENTION:

DO NOT ATTEMPT TO ASSEMBLE THIS ALONE !

Components

Roof Gable Profile(11) 2120mm	Roof Gable Profile(12) 1388mm	Roof Gable Profile(13) 1269mm	Roof Gable Profile(14) 1269mm	Top center connector(19)	Top center connector(20)		
x4	x2	x4	x4	x1	x2		
Roof Top Connector Beam(21)	Roof Top Connector Beam(22)	U-shaped Connector(23)	Screw(29)	Screw(31)	Screw(32)	Screw(33)	Nut(35)
x1	x1	x2	x45	x8	x12	x8	x10
Plastic cap #1(37)	Plastic cap #2(38)	Y-connector(43)	Screw(45)	Roof Gable Profile(52) 450mm	Roof Gable Profile(52A) 440mm	Roof Gable Profile(53) 316mm	
x2	x4	x4	x2	x4	x4	x2	
Roof Gable Profile(53A) 315mm	Roof Top Cover(54)	Aluminium Composite Roof Panel(55)	Aluminium Composite Roof Panel(59)	Aluminium Composite Roof Panel(60)			
x2	x1	x2	x2	x2		x2	

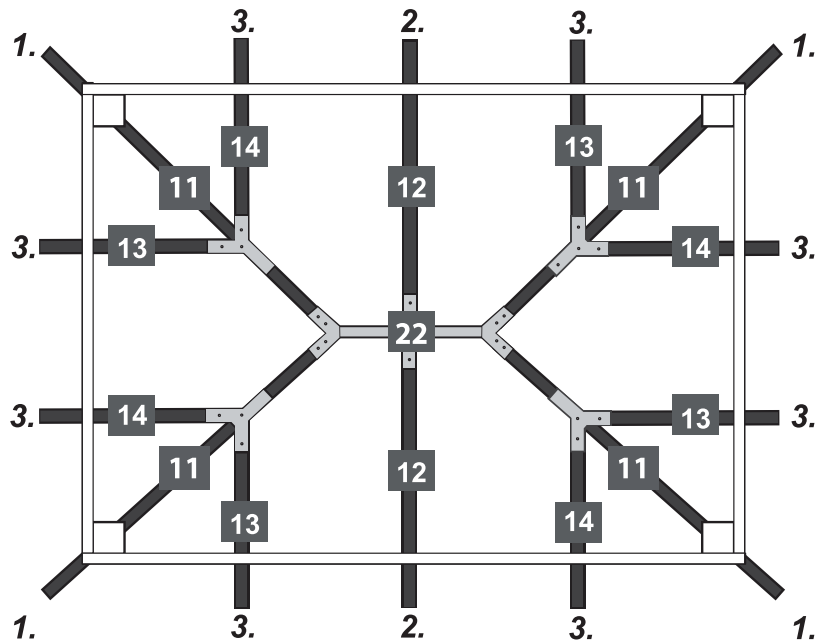
Using at least three people, install the roof gables profile (11,12,13,14) in the following order:

VIEW FROM BELOW
(from inside gazebo)



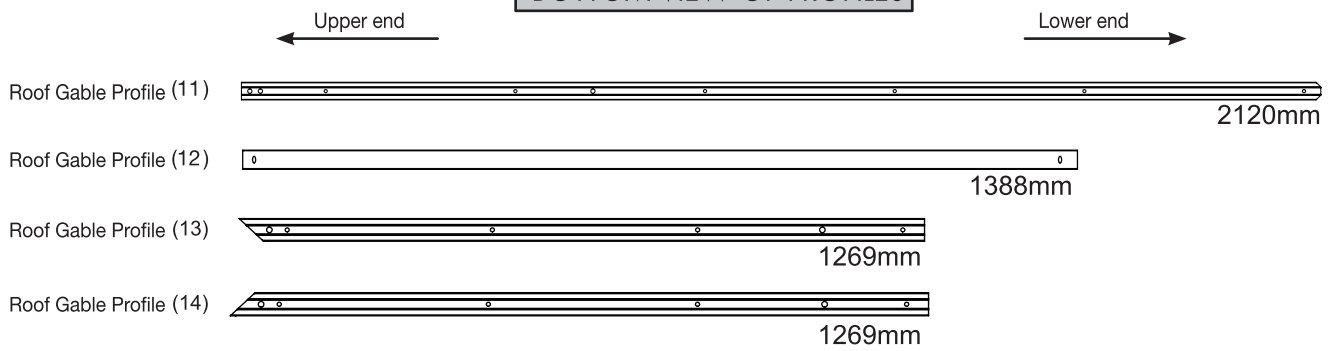
ATTENTION:

Roof Profiles, roof panels and gables must be aligned properly during assembly to minimize any possibility of leaking.

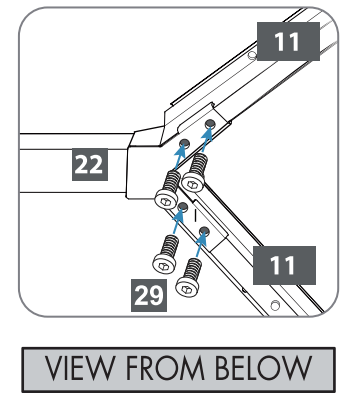
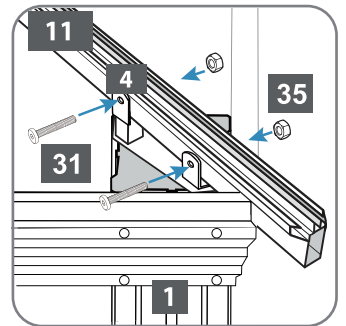
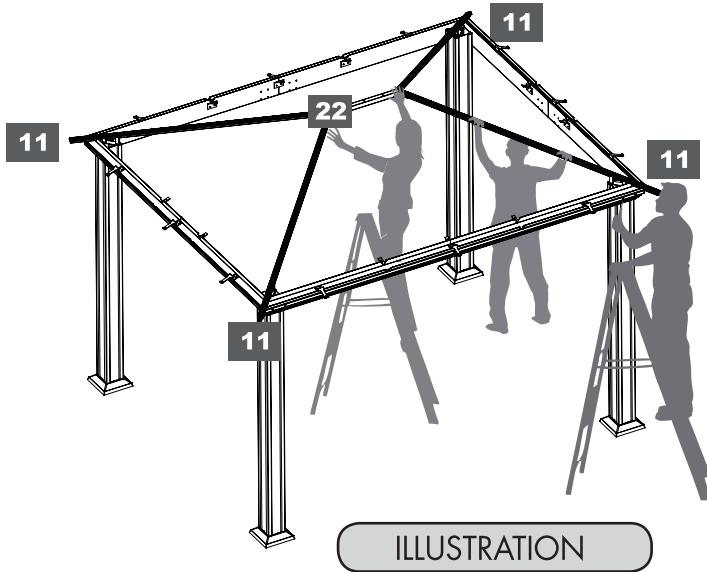


IMPORTANT: Make sure that the roof gable profiles (11, 12, 13, 14) are installed exactly as shown so that the pre-drilled screw holes will align properly with screw holes on the roof panels.

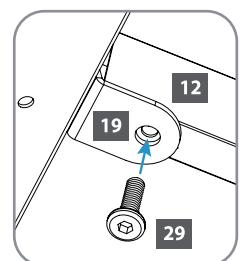
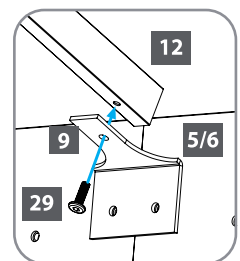
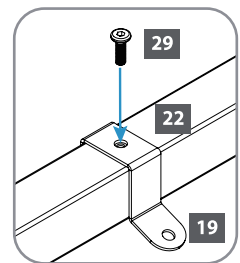
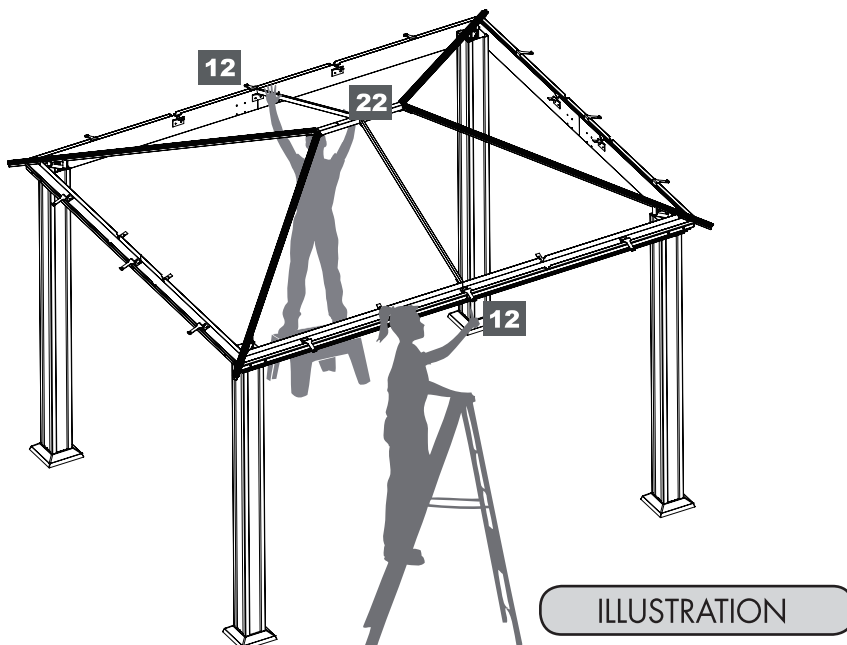
BOTTOM VIEW OF PROFILES



5.A Using screws (31) and nuts (35), connect roof gable profiles (11) to corner roof connectors (4) on top of corner profiles (1). Using screws (29), connect roof gable profile (11) to roof top connector beam (22) as shown.



5.B Install roof gable profiles (12). Using screws (29) connect top center connector (19) to roof top connector beam(22). Using screws (29) connect profiles (12) to inner roof connector (9) on long roof profiles sets (5,6) and the other end to top center connector(19).



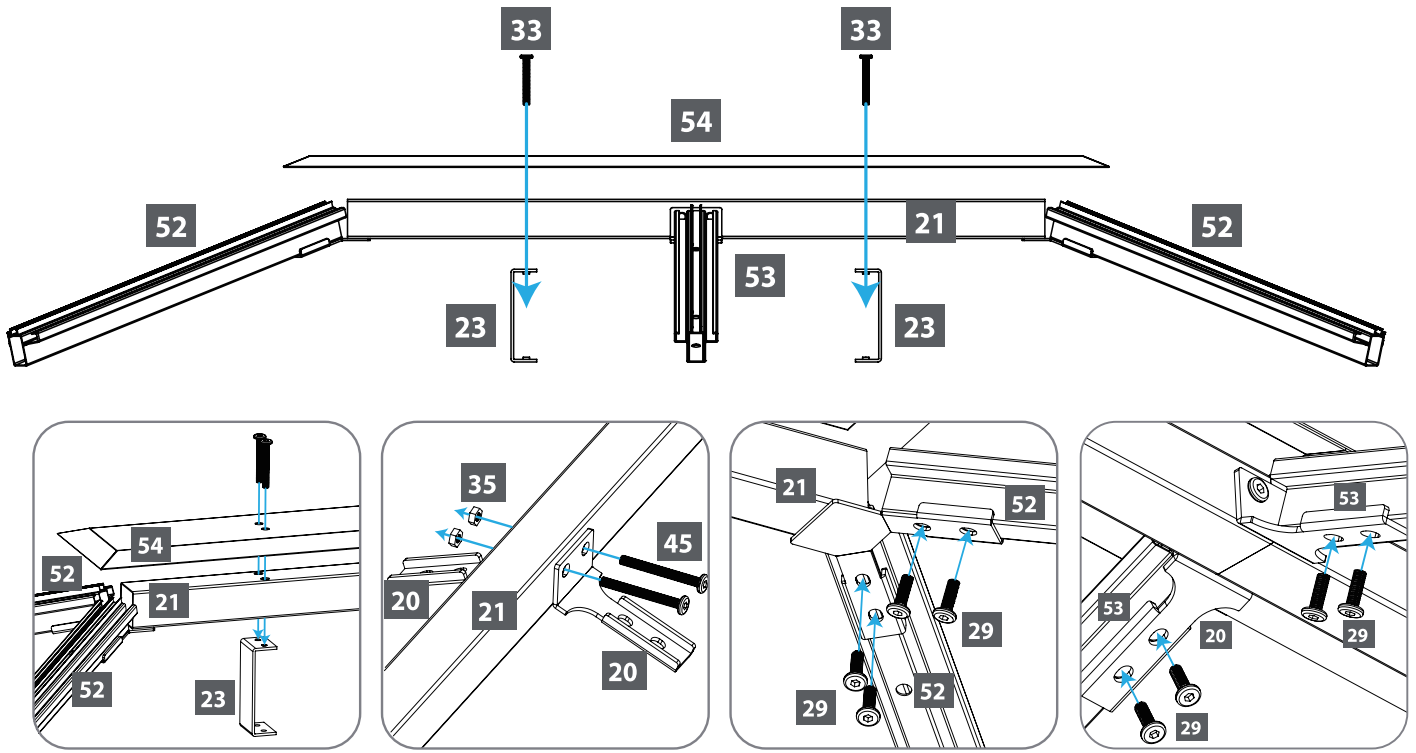
5.C

Connect the roof top cover (54) to roof top connector beam (21) by attaching U-shaped connectors (23) from above, using two screws (33).

Using screws (45) and nut (35), connect two top center connectors (20) to roof top connector beam (21).

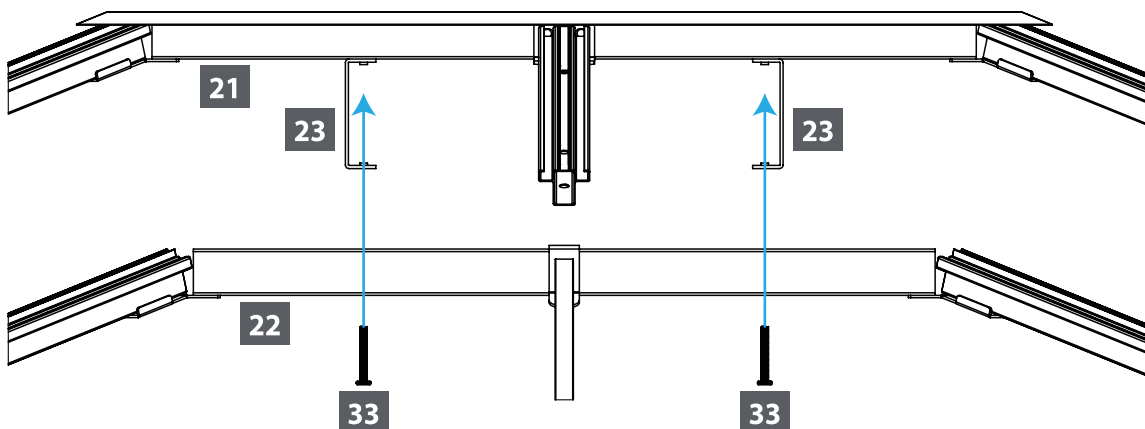
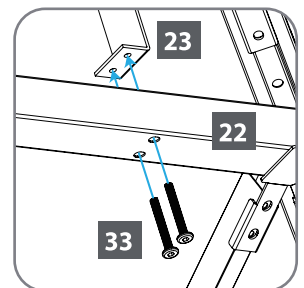
Using screws (29), connect roof gable profile (52) to roof top connector beam (21).

Using screws (29), connect two roof gable profile (53) to top center connectors (20).



5.D

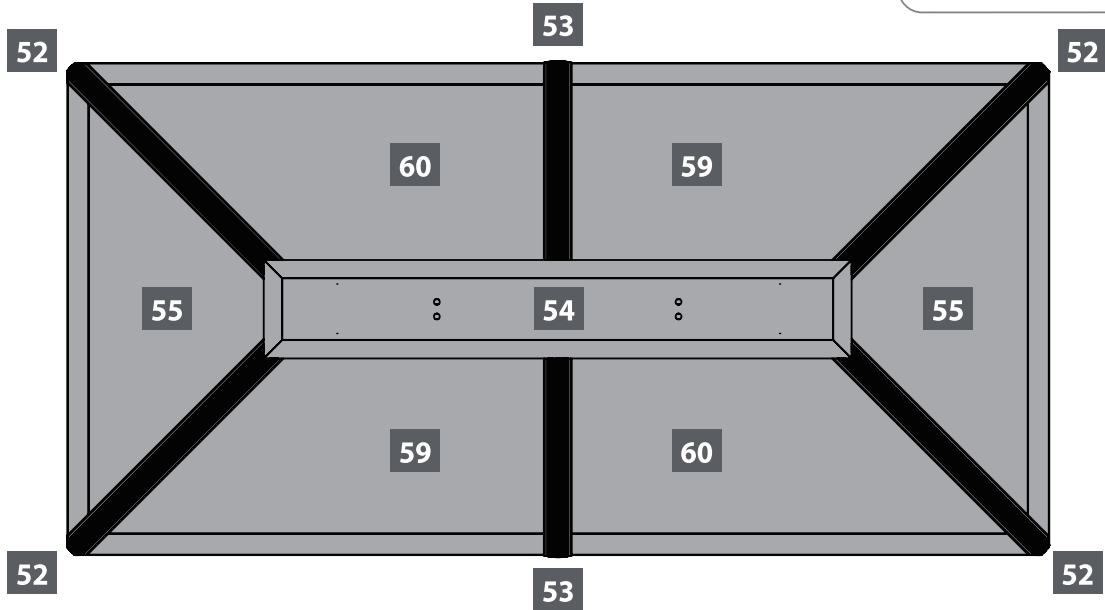
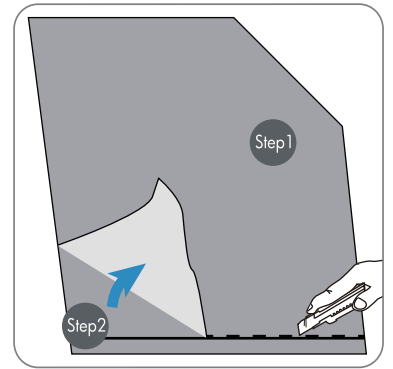
Install roof top connector beam (21) and the U-shaped connectors (23) on the roof top connector (22) by screws (33) from below as shown.



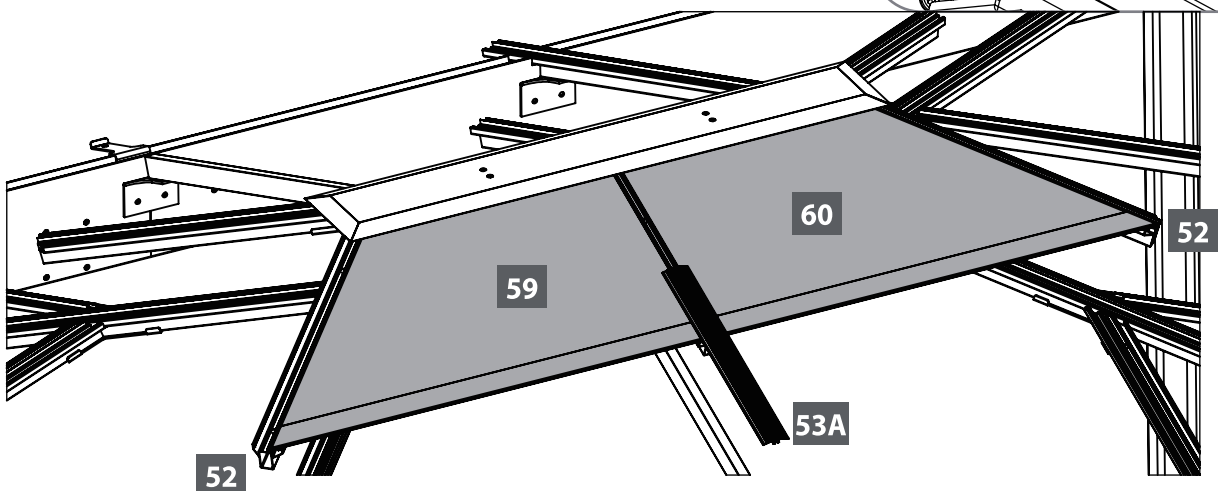
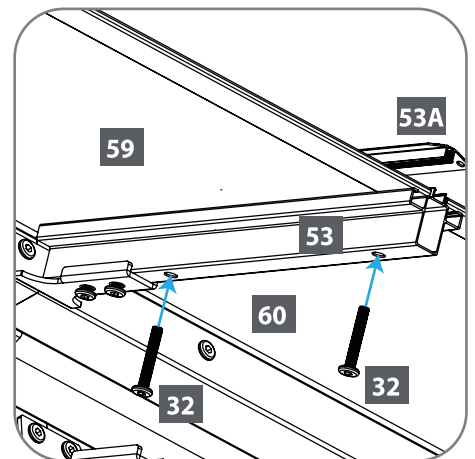
5.E



IMPORTANT: Gently cut on the edge of the panels on both side with knife and remove protective plastic of roof panels. Place with black surface toward the sun facing out when installing.

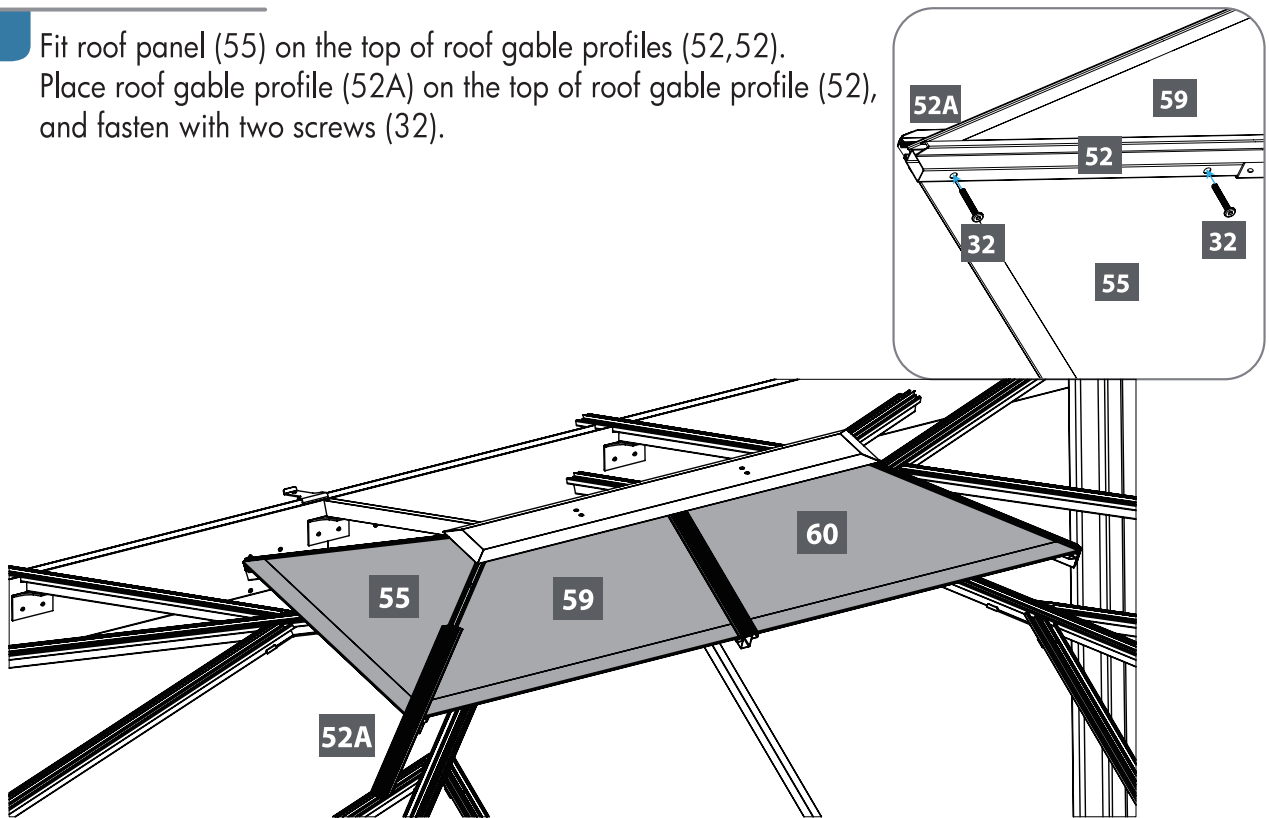


Fit roof panels (60,59) on top of roof gable profiles (52 and 53). Place roof gable profile (53A) on the top of roof gable profile (53) and fasten with two screws (32) from below (inside gazebo).

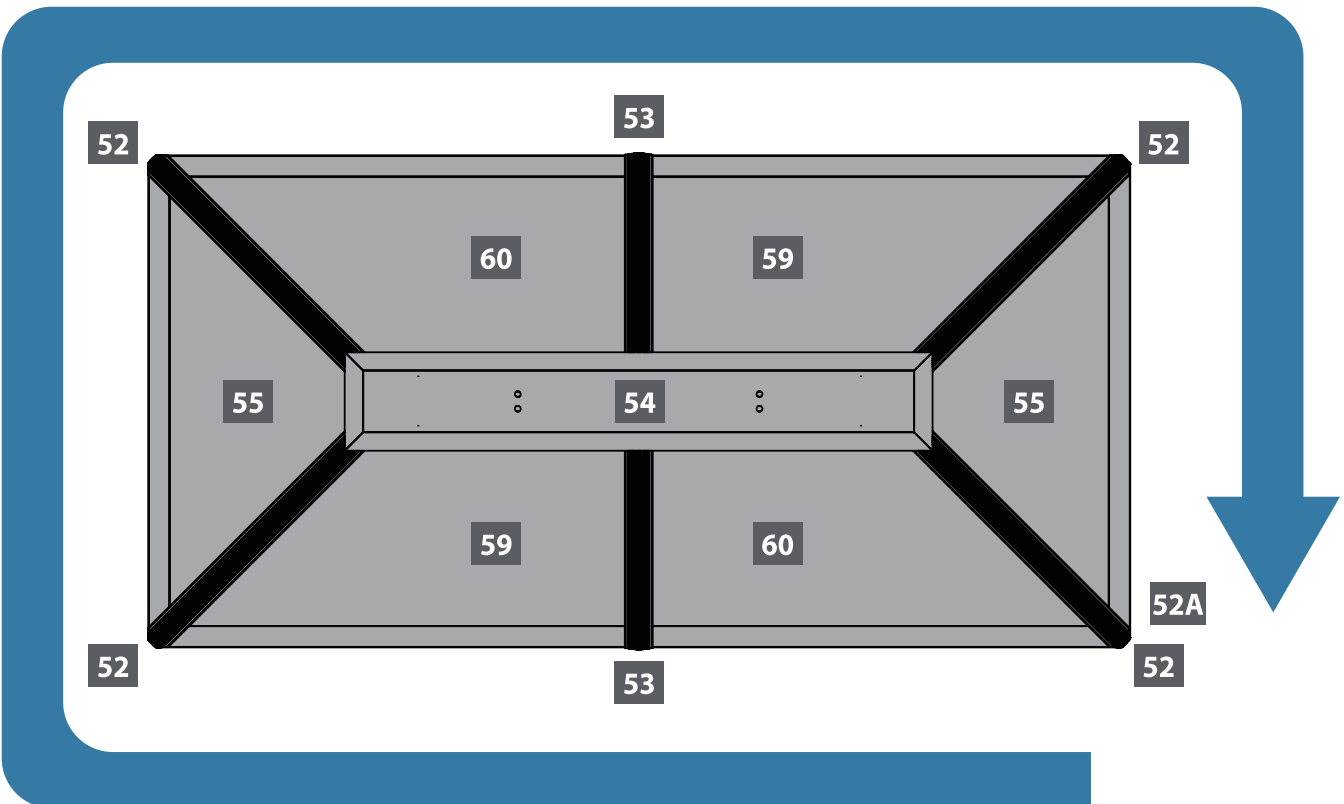


5.F

Fit roof panel (55) on the top of roof gable profiles (52,52). Place roof gable profile (52A) on the top of roof gable profile (52), and fasten with two screws (32).

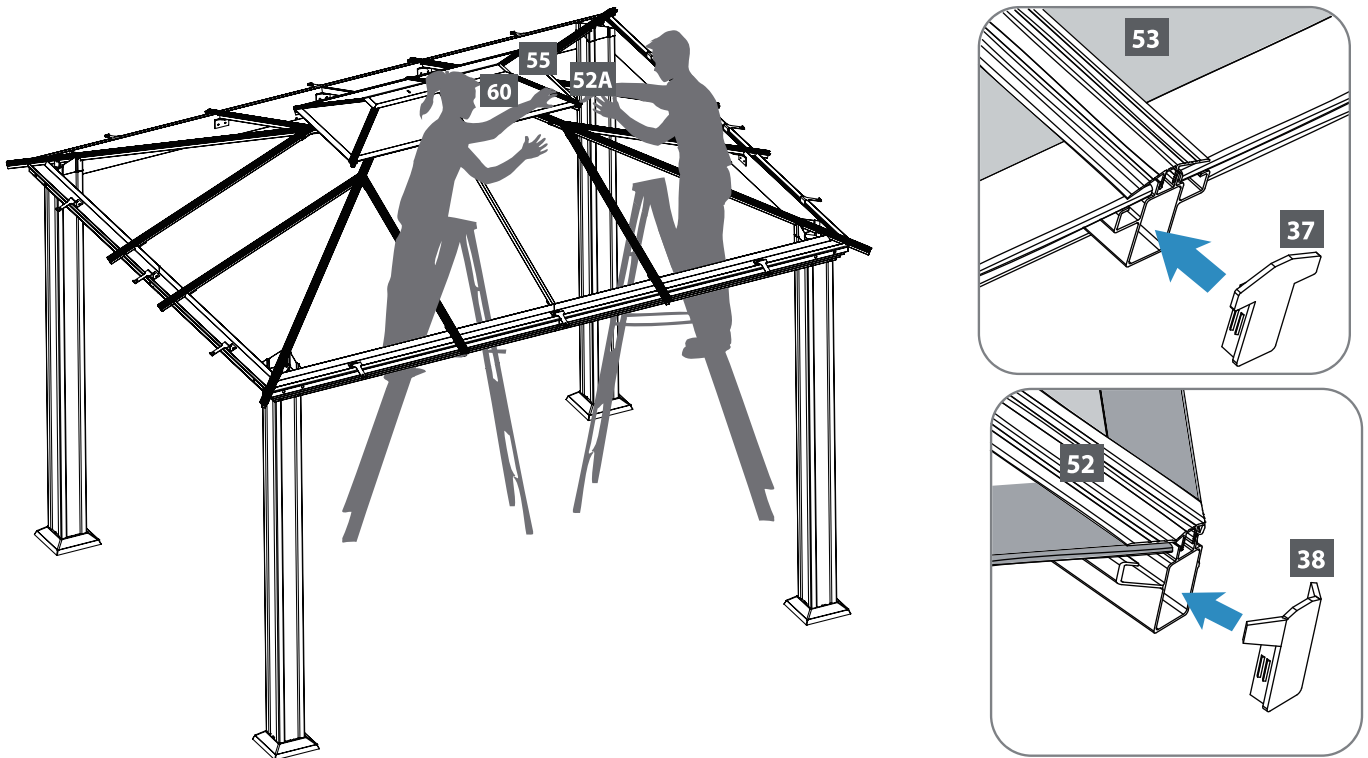
**5.G**

Continue in a clock-wise direction as shown.



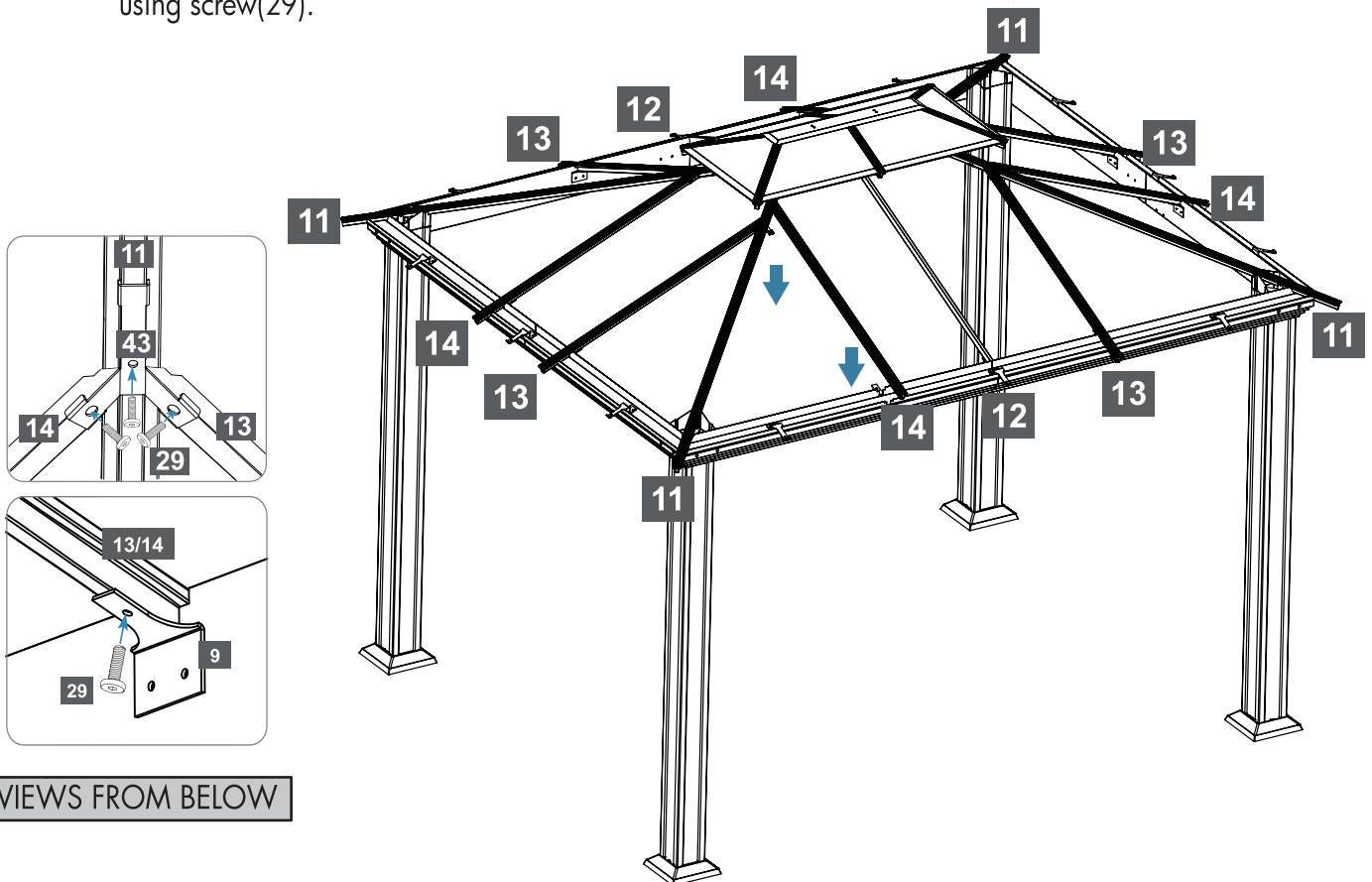
VIEW FROM TOP

Fit the roof panel (55) on top of roof gable profiles (52,52) .
 Place roof profiles (52A) on top of roof gable profiles (52), fasten with screws (32) from below.
 Close off roof gable profiles (53) with plastic cap #1 (37) and roof gable profiles (52) with plastic cap #2 (38).



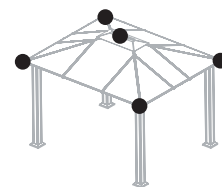
5.H

Attach Y-connectors (43) to underside of roof gable profiles (11) , using screws (29) as shown.
 Connect roof gable profile(13,14) to Y-connector(43) and the other end to inner roof connector(9), using screw(29).



VIEWES FROM BELOW

STEP 6 Installing the Lower Horizontal Roof Profiles

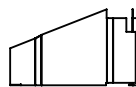


6.A

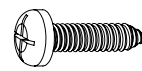
Attach hook(42) on the roof top connector beam(22).

Place corner cap(27) on the top of corner profiles(1) and fasten with screws(30).

Components



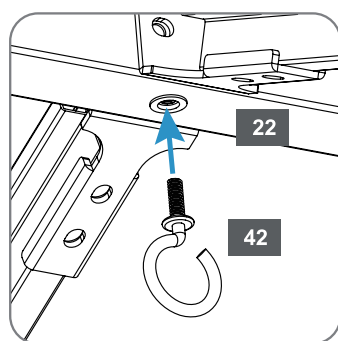
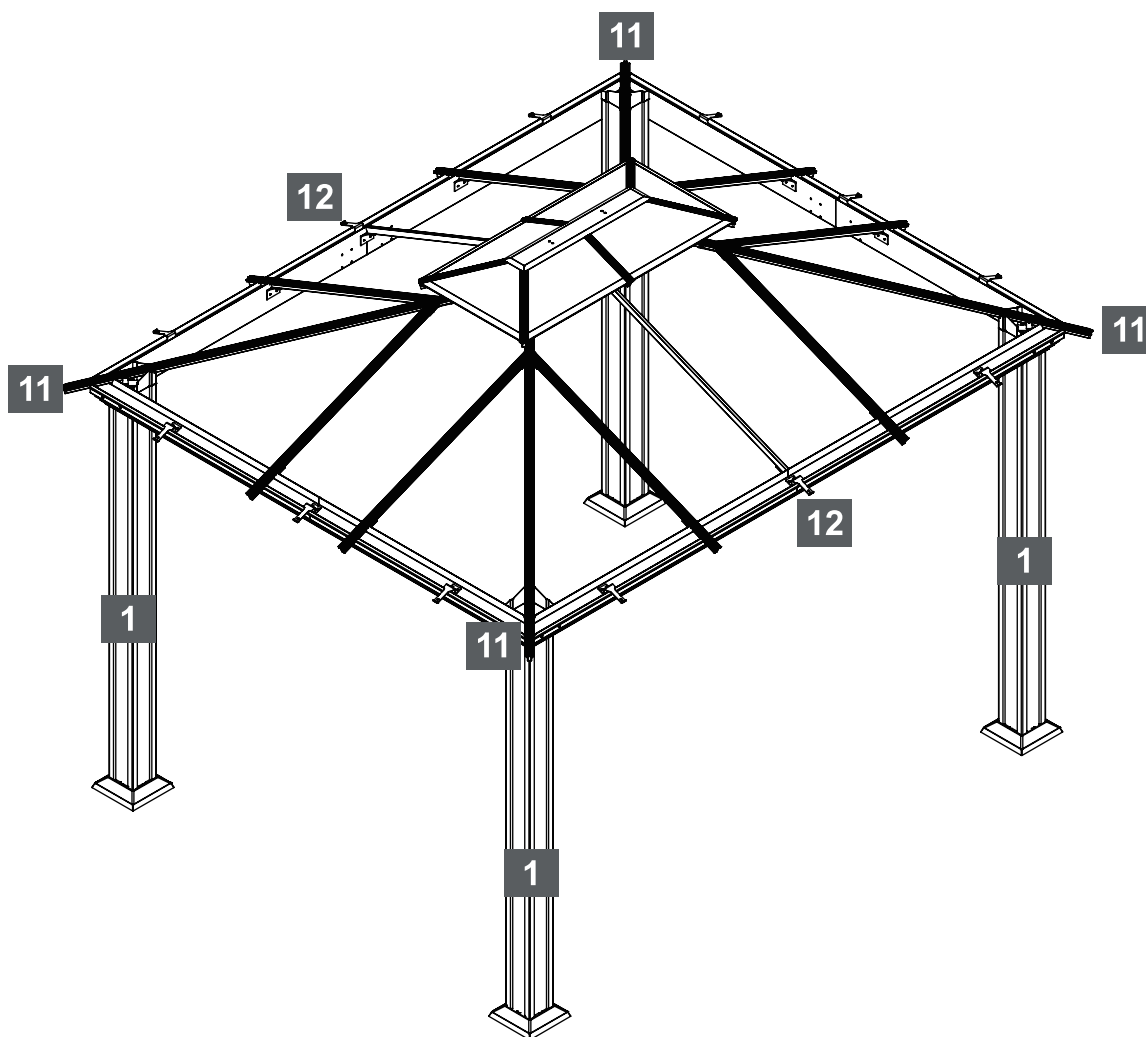
Corner cap(27)
x 4



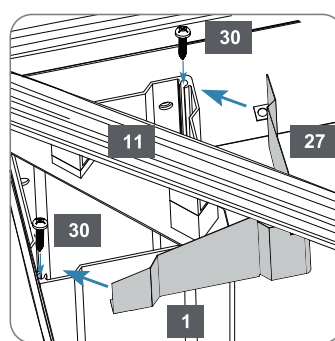
Screw(30)
x 8



Hook(42)
x 1



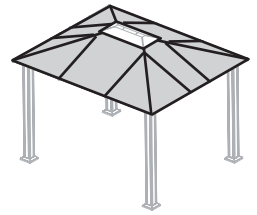
VIEW FROM BELOW



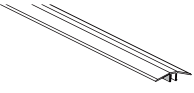


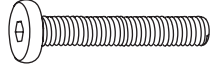
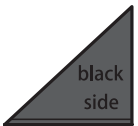
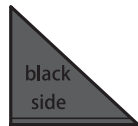

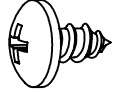
VIEW FROM TOP

STEP 7 Installing the Roof Panels and Upper Roof Profiles

IMPORTANT: Gently cut on the edge of the panels on both side with knife and remove protective plastic of roof panels. Place with black surface toward the sun facing out when installing.



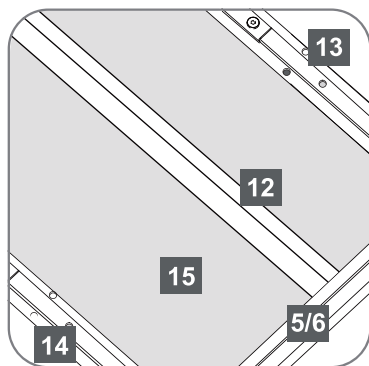
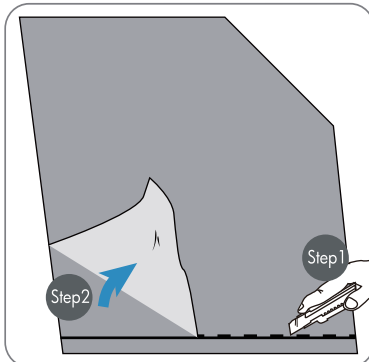
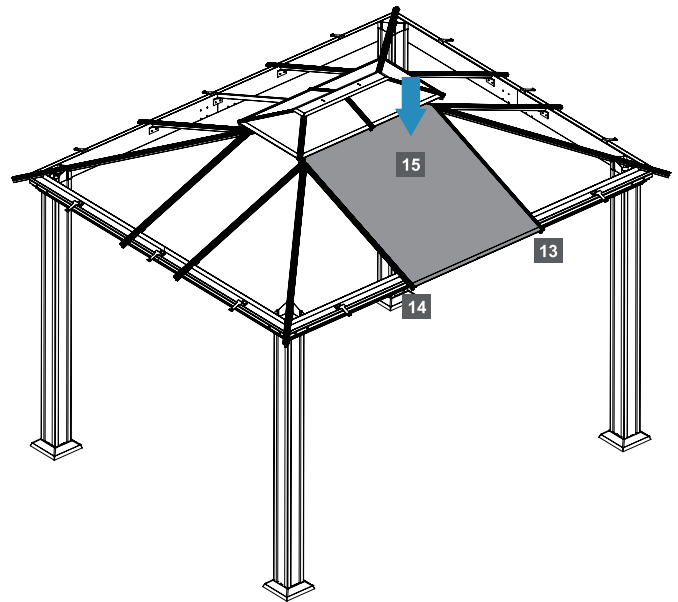
Components

			
Roof Gable Profile(11A) 1970mm x4	Roof Gable Profile(13A) 1261mm x4	Roof Gable Profile(14A) 1261mm x4	Screw(32) x52
			
Aluminium Composite Roof Panel(16) x4	Aluminium Composite Roof Panel(17) x4	Aluminium Composite Roof Panel(18) x2	Aluminium Composite Roof Panel(15) x2
			Screw(34) x12

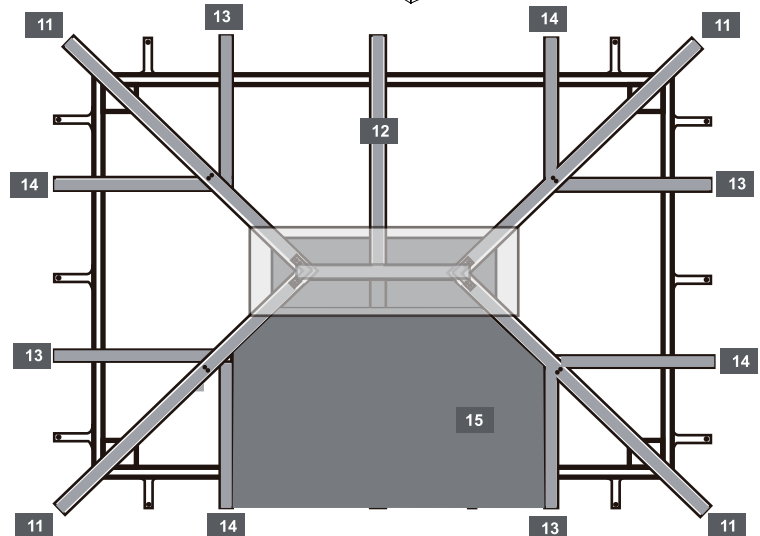
7.A

Fit roof panel (15) on top of roof profiles (12 and 13).

IMPORTANT: Gently cut the film in order to avoid breaking on the panel.



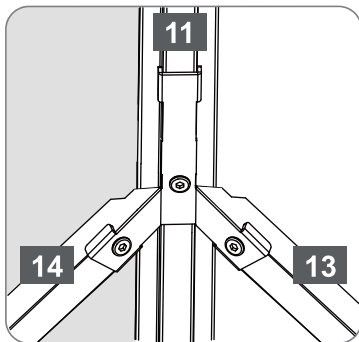
VIEW FROM BELOW



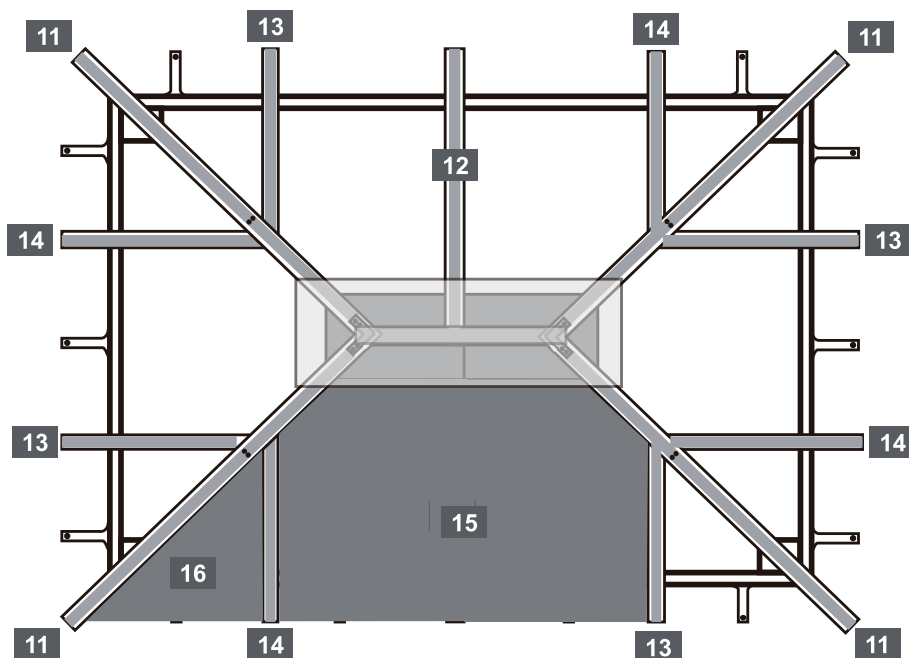
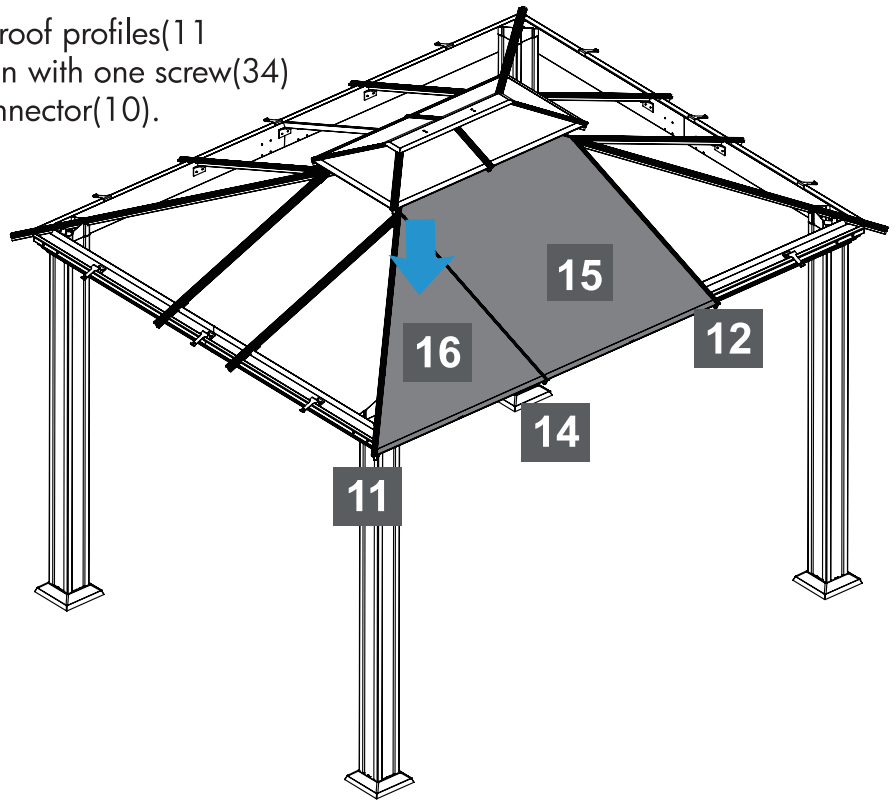
VIEW FROM TOP

7.B

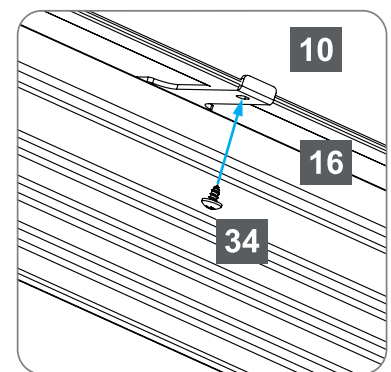
Fit roof panel(16) on top of roof profiles(11 and 14) as shown and fasten with one screw(34) underneath of outer roof connector(10).



VIEW FROM BELOW



VIEW FROM TOP



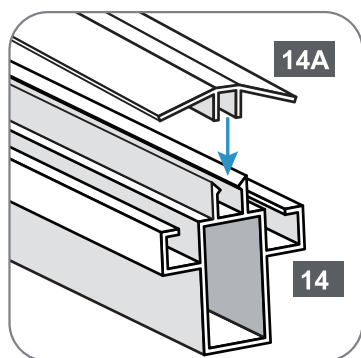
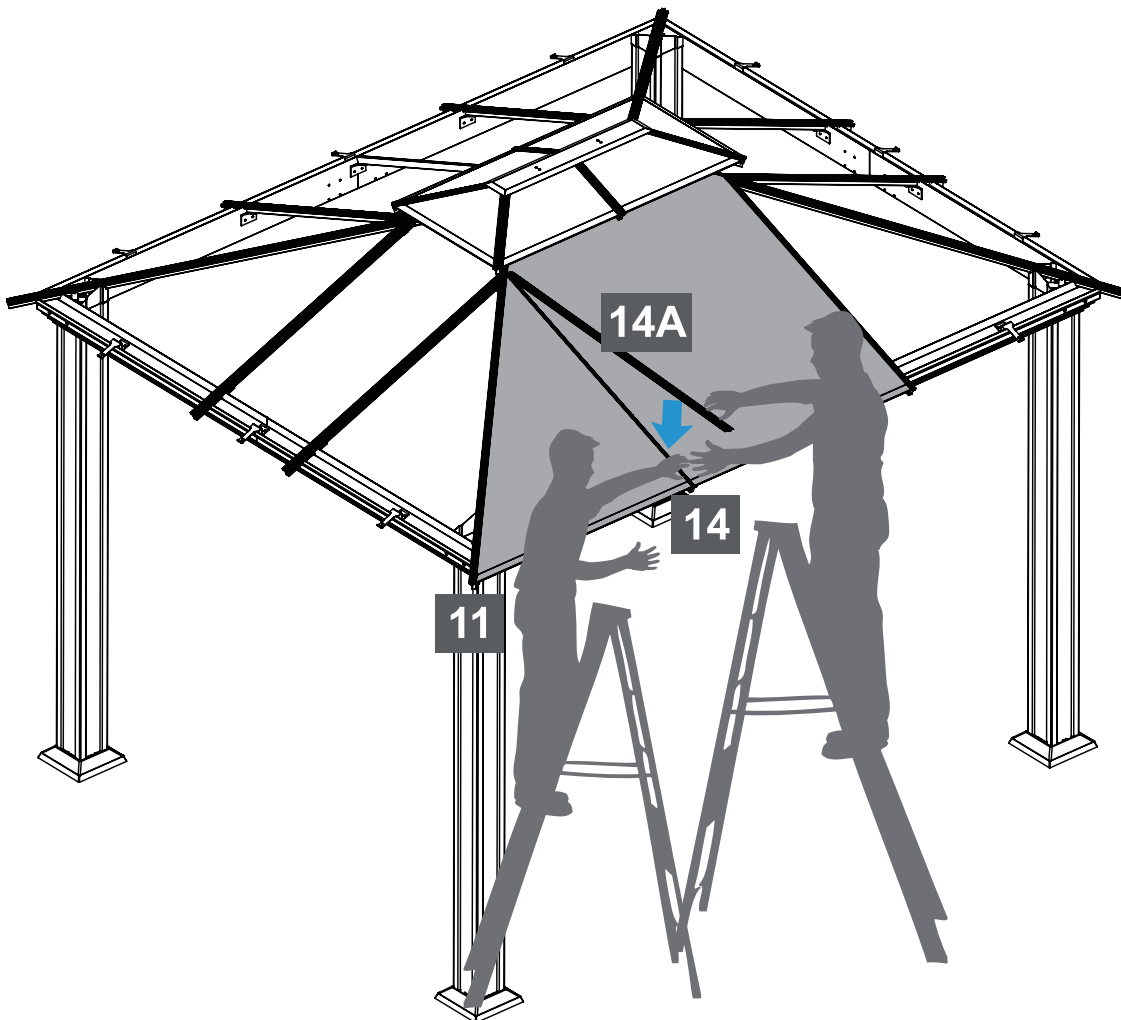
VIEW FROM BELOW



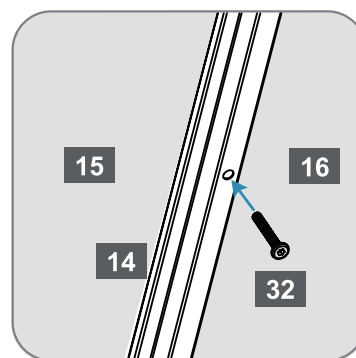
IMPORTANT: Make sure that the roof panels are installed exactly in the order shown, otherwise it will be difficult to place the top roof gable profiles.

7.C

Place roof gable profile (14A) on top of roof gable profile (14) as shown and fasten with screws (32) from below (inside gazebo).



Connecting the upper and lower profiles



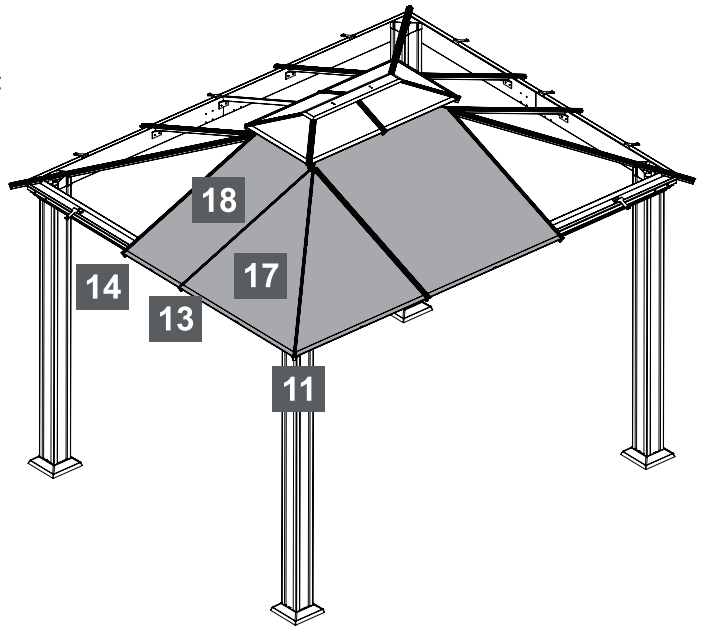
VIEW FROM BELOW
(from inside gazebo)

7.D

Fit roof panel(18) on top of roof profiles(13,14) and fasten with one screws (34) underneath of outer roof connector(10).

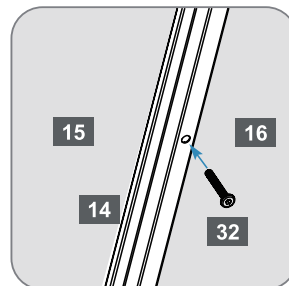
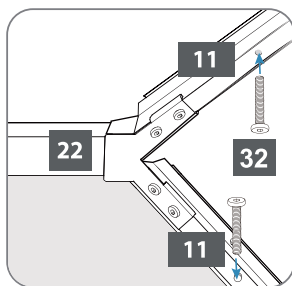
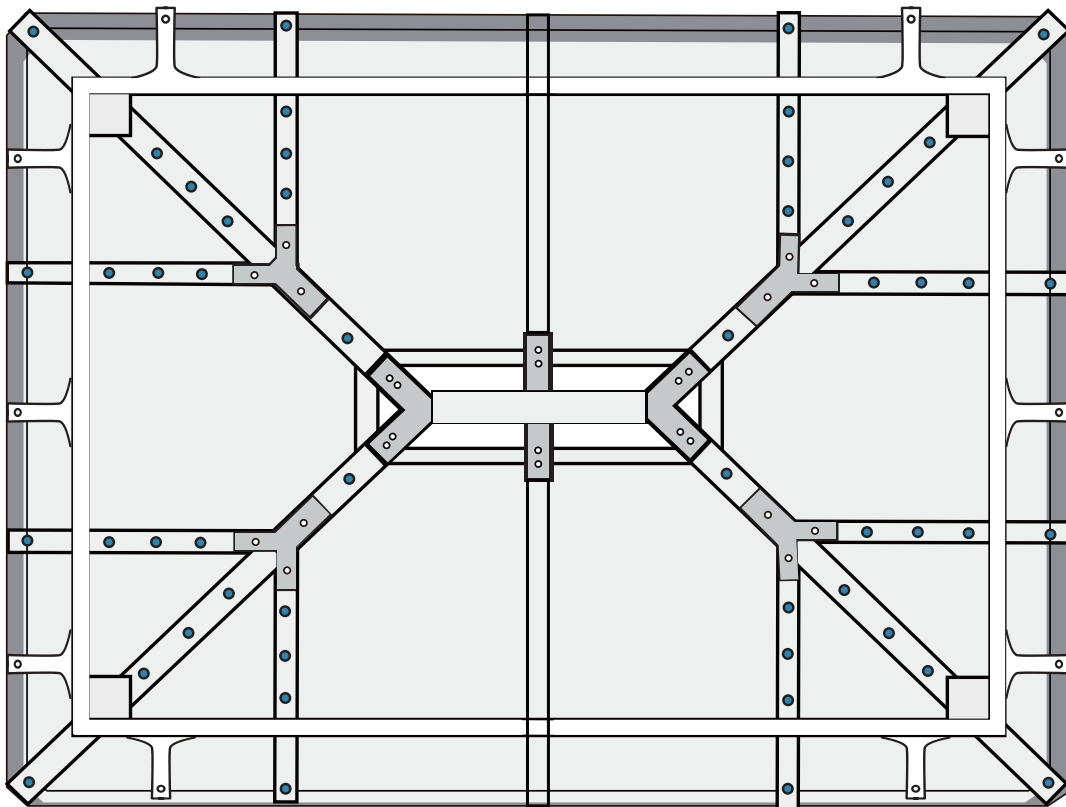
Place roof gable profiles(11A) on top of roof gable profile (11); fasten ONLY THE TOP END with 1 screw(32) from below.

Fit roof panel(17) on top profiles(11,13), fasten with one screw(34) underneath of outer roof connector(10), and then fasten (11A) on top of roof gable profile (11) with screw(32) from below.



VIEW FROM BELOW
(from inside gazebo)

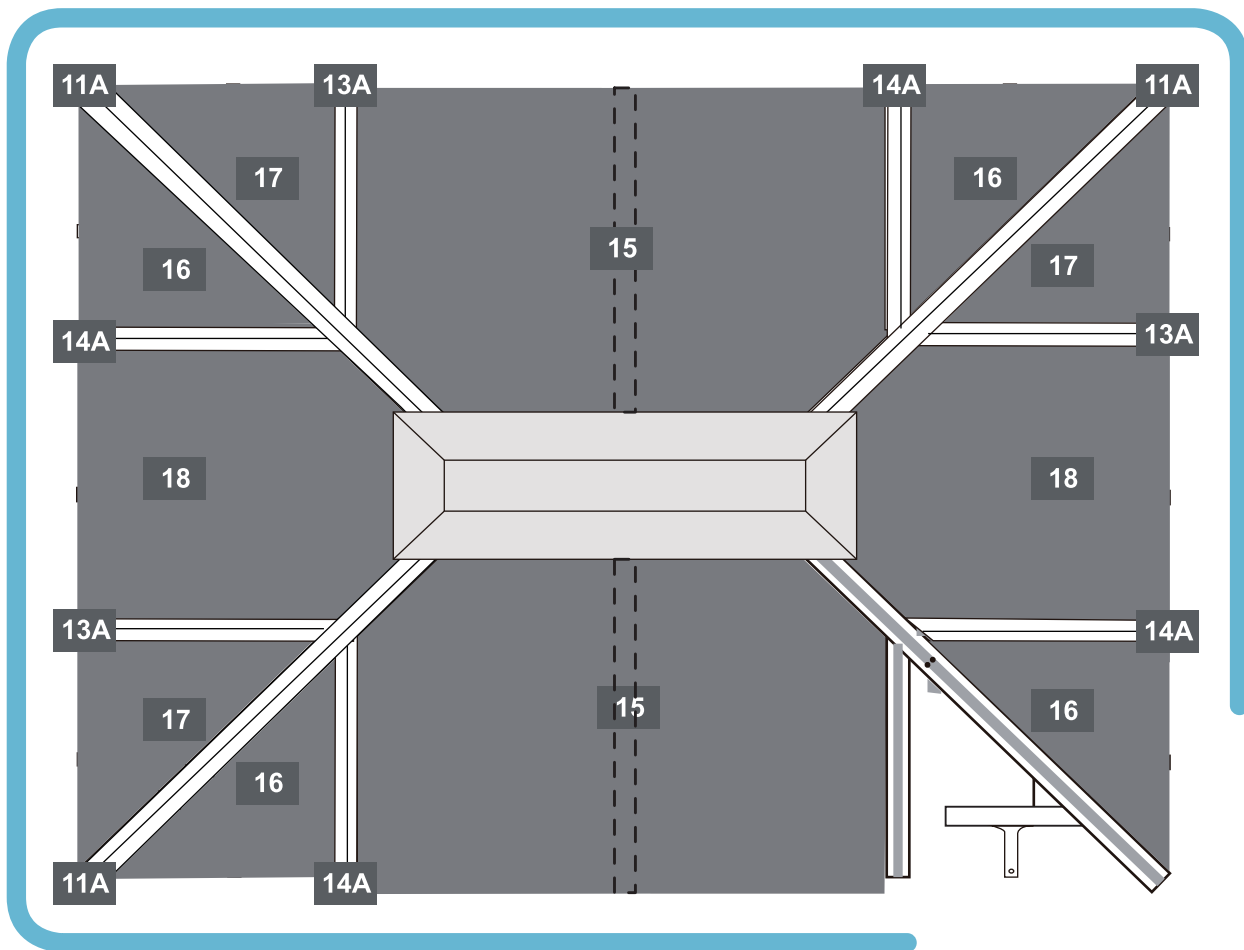
● Positions of screws (32) from below roof



VIEW FROM BELOW

7.E

Continue in a clock-wise direction as shown.

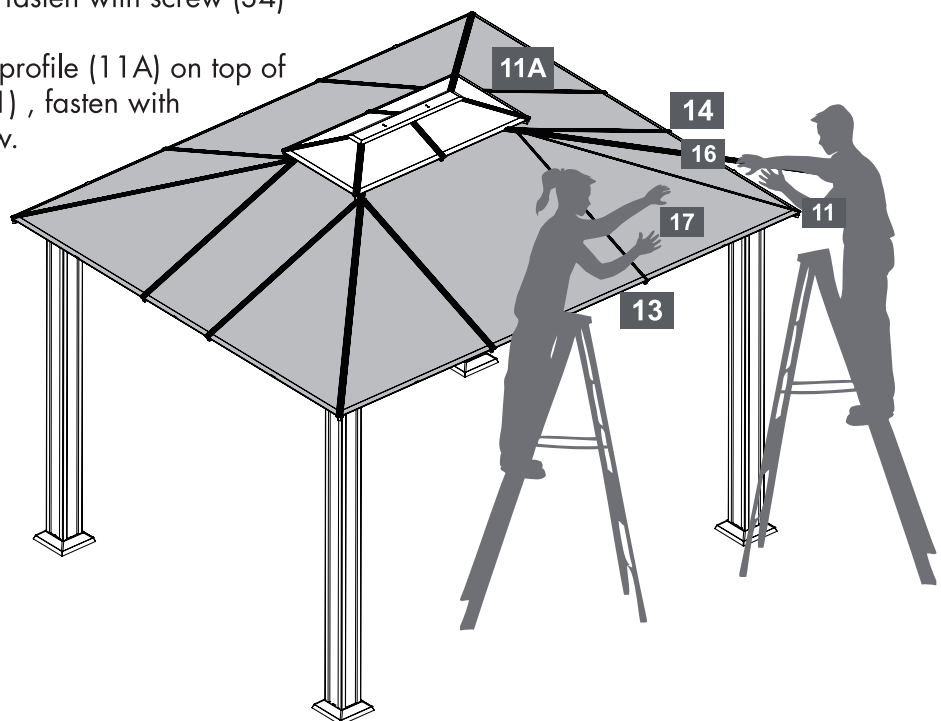


VIEW FROM TOP

7.F

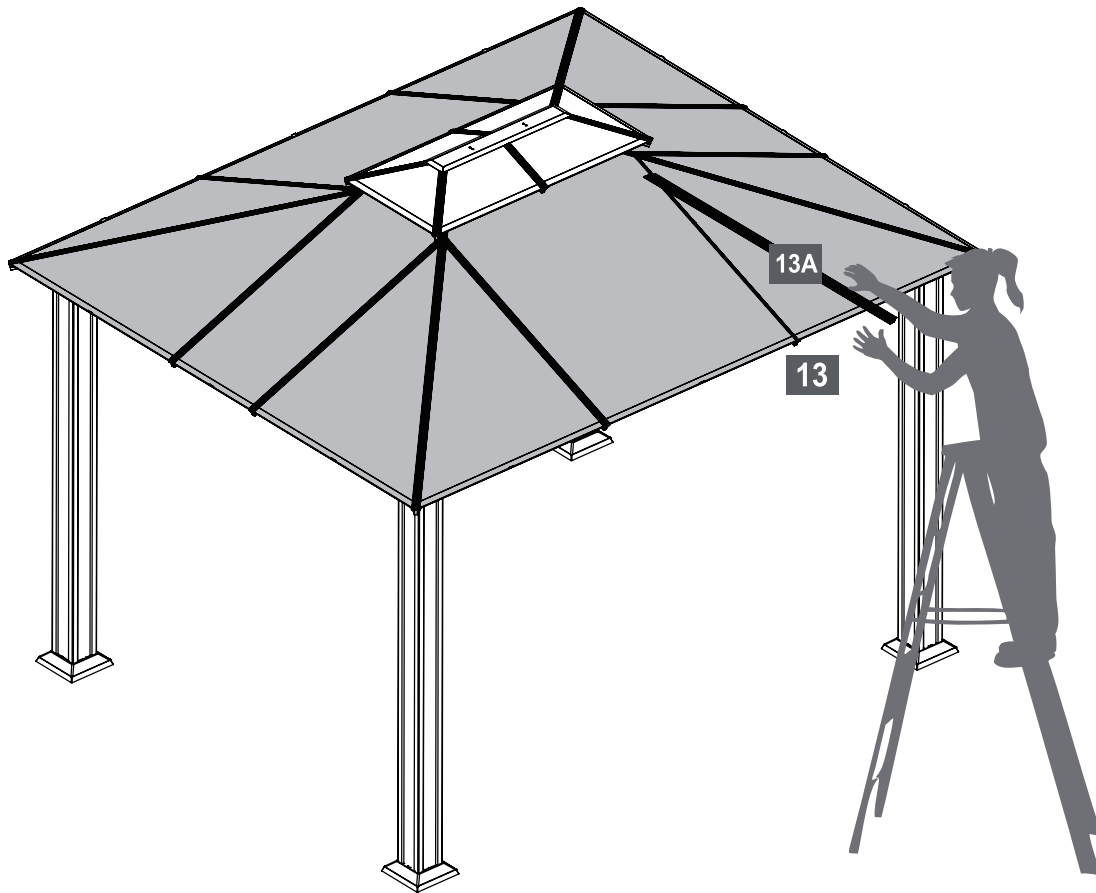
Place the roof panel (16,17) on top of profiles (11,13,14), fasten with screw (34) from below.

Place the roof gable profile (11A) on top of roof gable profile (11), fasten with screw(32) from below.

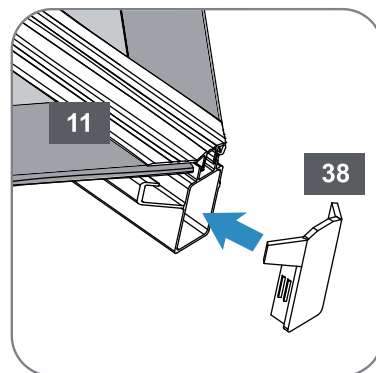
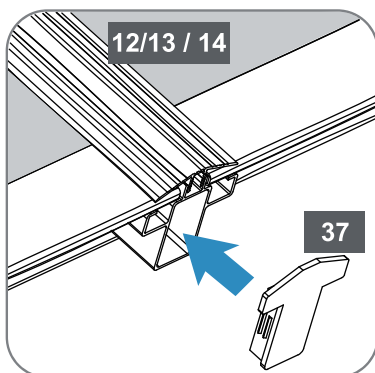


7.G

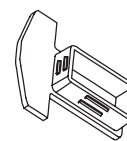
Place the roof gable profile (13A) on top of (13), fasten with screw (32) from below.



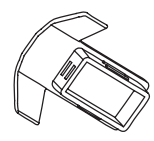
STEP 8 Installing the Plastic Caps



Components



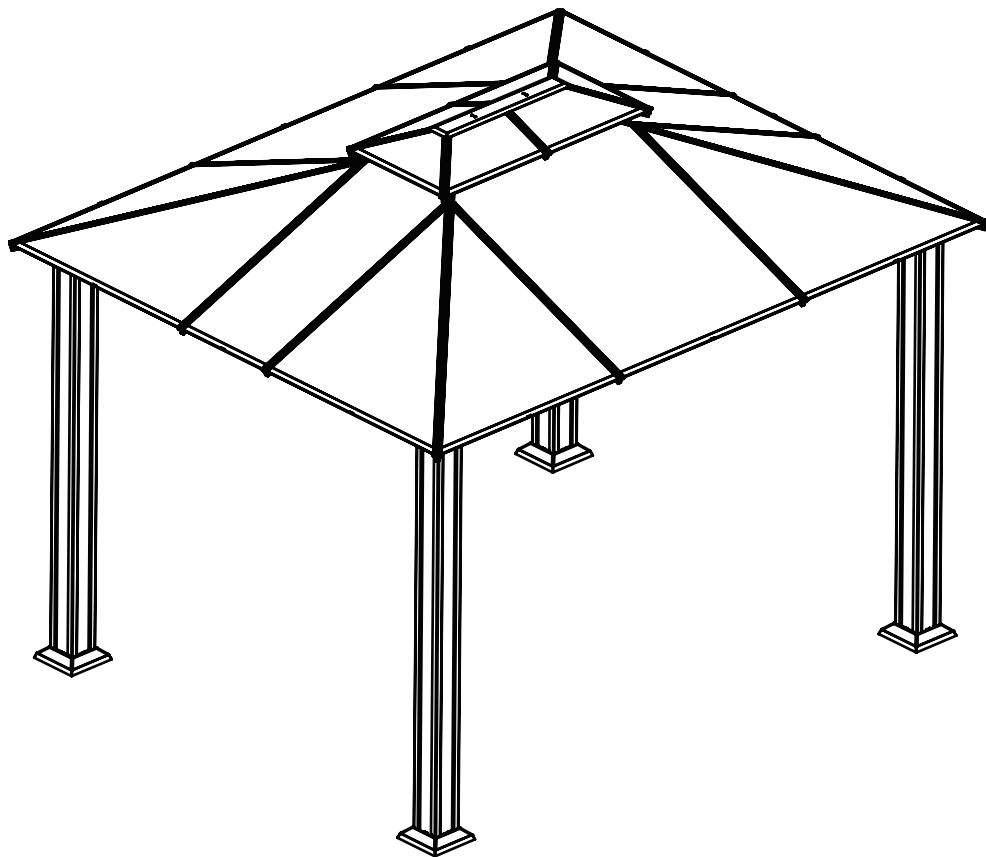
Plastic Cap #1 (37)
x 8

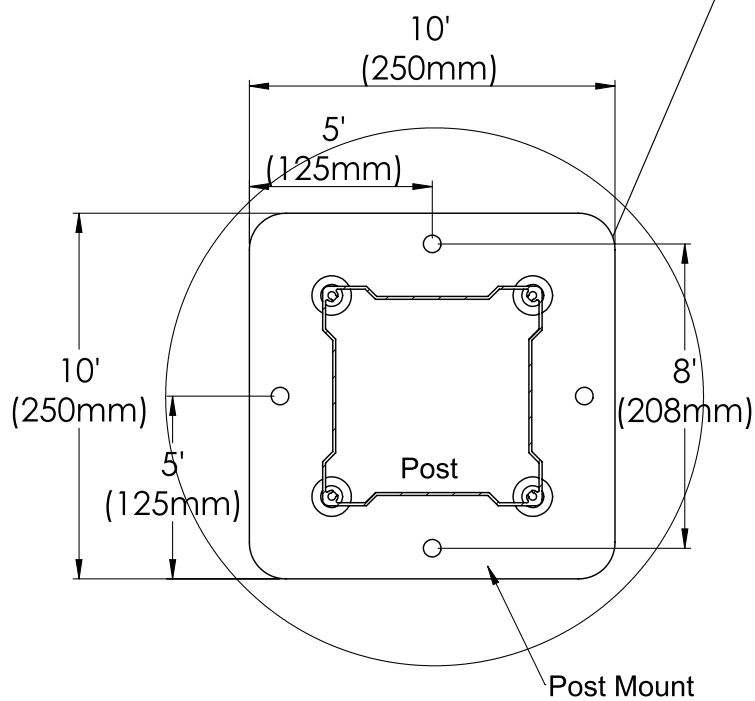
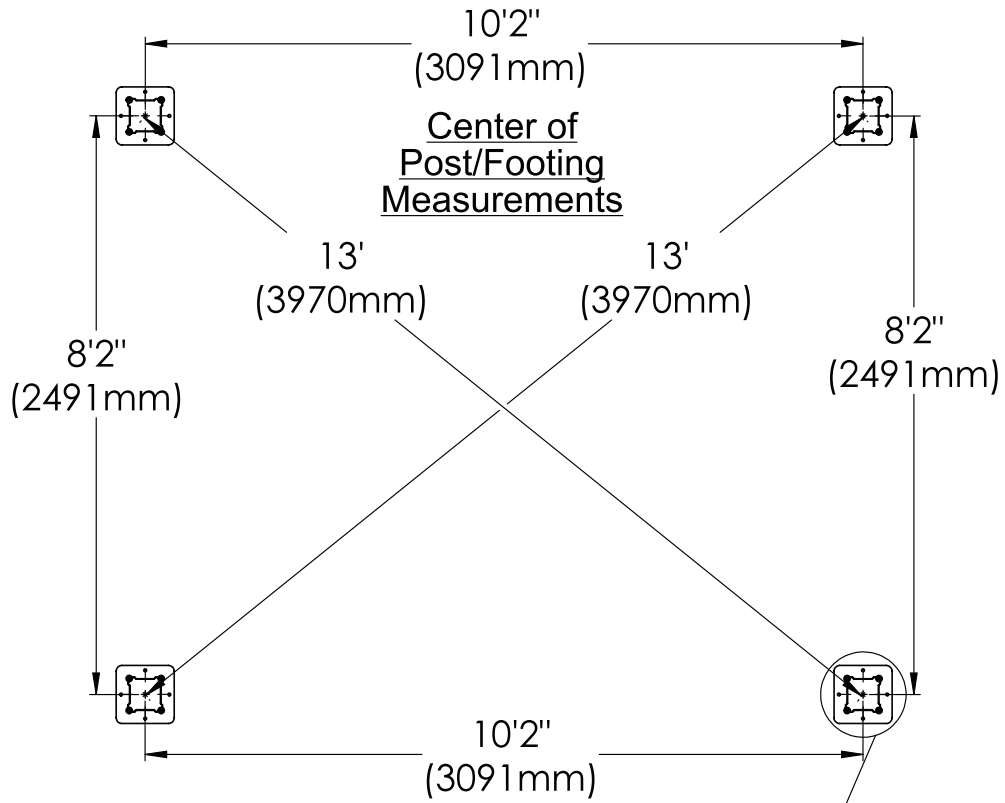
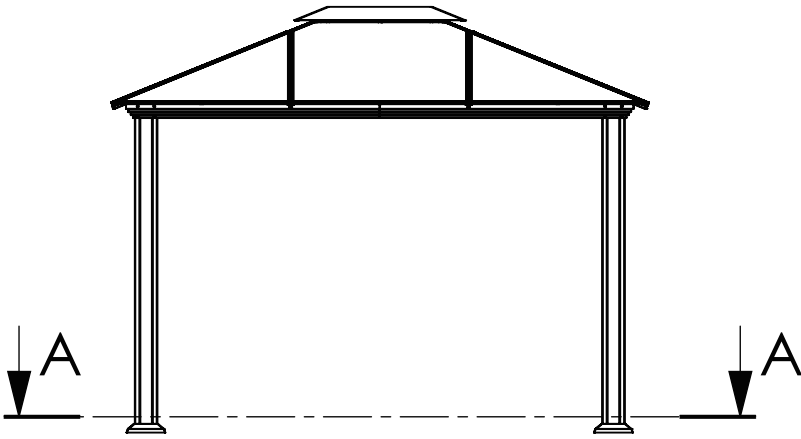


Plastic Cap #2 (38)
x 4

Close off roof gable profiles (12,13,14) with plastic caps #1 (37) and roof gable profiles (11) with plastic cap #2 (38).

ENJOY YOUR COMPLETED GAZEBO!





Post Detail



Gazebo GZH3-1012BK

Aluminium Composite Roof Panels

Assembly Instructions

WARRANTY:

Warranty covers damage due to manufacturing defects only for a period of 5 years on the structure, and 5 years on the Aluminum Shell from date of purchase. Warranty does not cover weather inflicted damage and/or damages caused by not following assembly instructions and adhering to warnings in manual. Warranty does not cover user error, negligence, or misuse.



WARNING: Cancer and Reproductive Harm-
www.P65Warnings.ca.gov.



AVERTISSEMENT: Cancer et Troubles de l' appareil reproducteur-
www.P65Warnings.ca.gov.



ADVERTENCIA: Cáncer y Daño Reproductivo-
www.P65Warnings.ca.gov.

ATTENTION: Roof profiles, roof panels and gables must be aligned properly during assembly to minimize any possibility of leaking.



  @paragonoutdoorcompany

Paragon Group USA

Customer Service: (877) 782 4482 Email: cs-outdoors@paragongroupusa.com